

FEATURES

- Rated currents from 30A
- 3 phase filter with standard attenuation
- Voltage rating 300 and 520VAC for world wide acceptance
- Protection against interference of voltage.

RS PRO 30A 520 V ac, Chassis Mount Power Line Filter - 3 Phase

RS Stock No.:237-8745



RS Professionally Approved Products bring to you professional quality parts across all product categories. Our product range has been tested by engineers and provides a comparable quality to the leading brands without paying a premium price.

Product Description

- For photovoltaic systems and industrial applications
 - Three-phase motor drives
 - UPS/SMPS
- Industrial automation equipment

General Specifications

Protection against interference of voltage. YX81 filters provide a broadband common and differential-mode attenuation performance, it still can be available when the interference is larger. Customized products according to customer's requirements

Mechanical Specifications

size 120X100X50mm (L X W X H)
weight 0.7 kgs

Electrical Specifications

Rated Voltage Max.	300/520VAC
Operating frequency	50/60Hz
Rated currents	30A
Hipot Rating	L-N: 1450VDC,L/N-G: 2250VDC

Protection Category

according to IEC 60529 IP40

Classification

eCl@ss (Version)
UNSPSC (Version)

Approvals

Declarations UL;ENEC;CE

Power Line Filters



Hazardous Area Certification
Standards Met

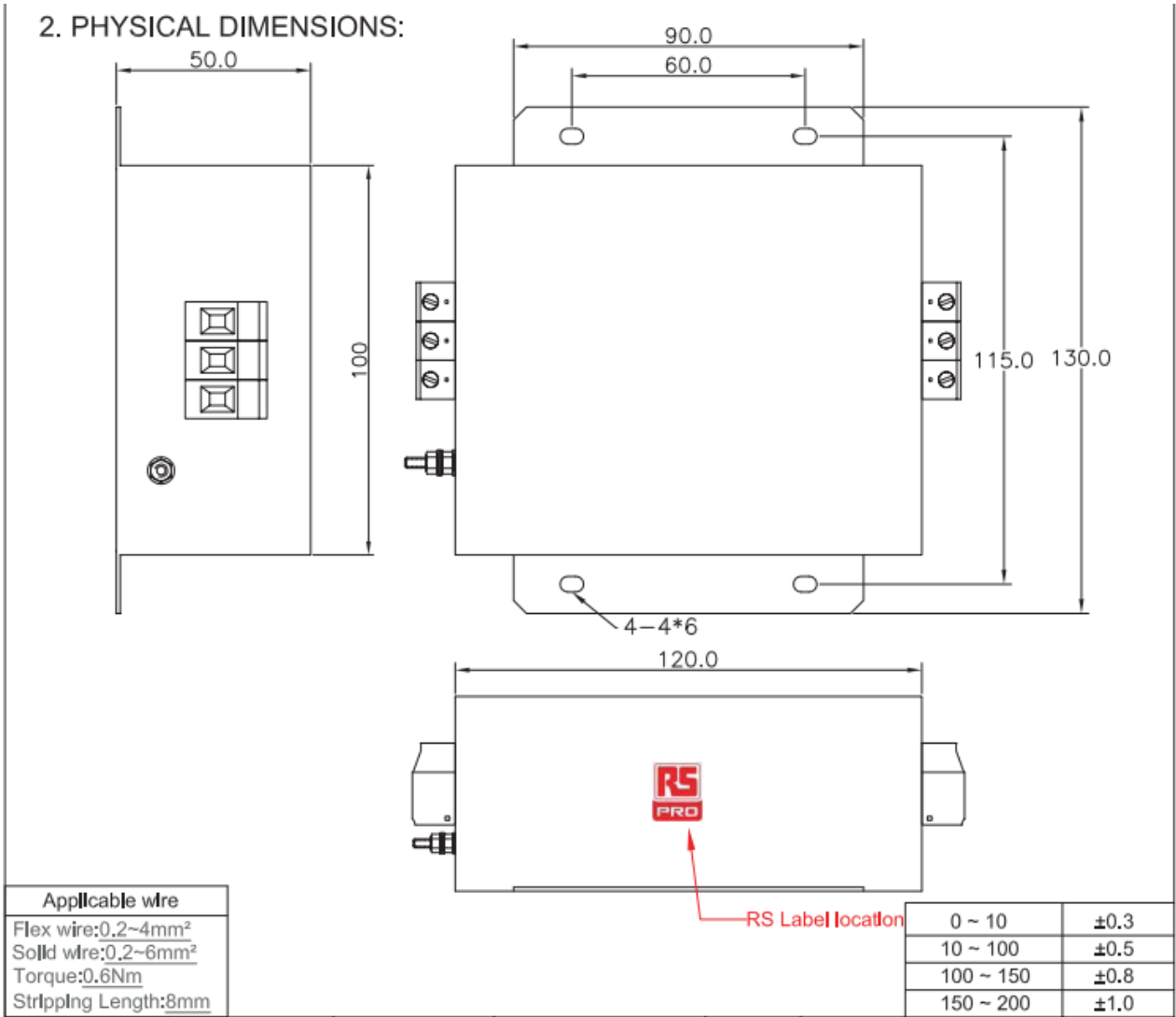
UL1283, CSA C22.2 No.8; IEC/EN 60939,;

Similar Products

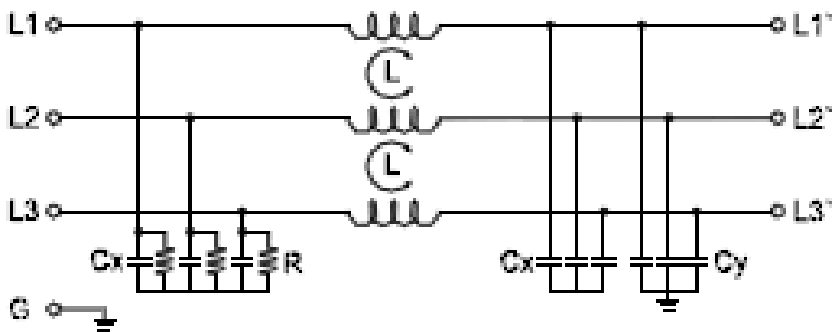
Stock No.	Brand	Product Name	Attribute 1	Attribute 2	Attribute 3

Connection Diagrams / Assembly Diagrams / Illustrations / Accessories

Physical Dimensions:



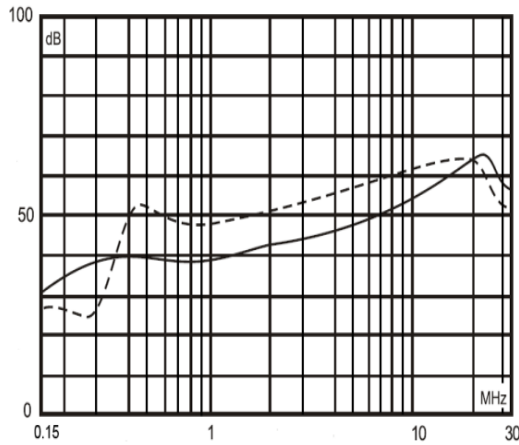
Electrical Schematic:



Insertion loss table(In 50ohm system according IEC/CISPR No.17)

———— Common mode - - - - - Differential mode

30A



packaging

