



ENGLISH

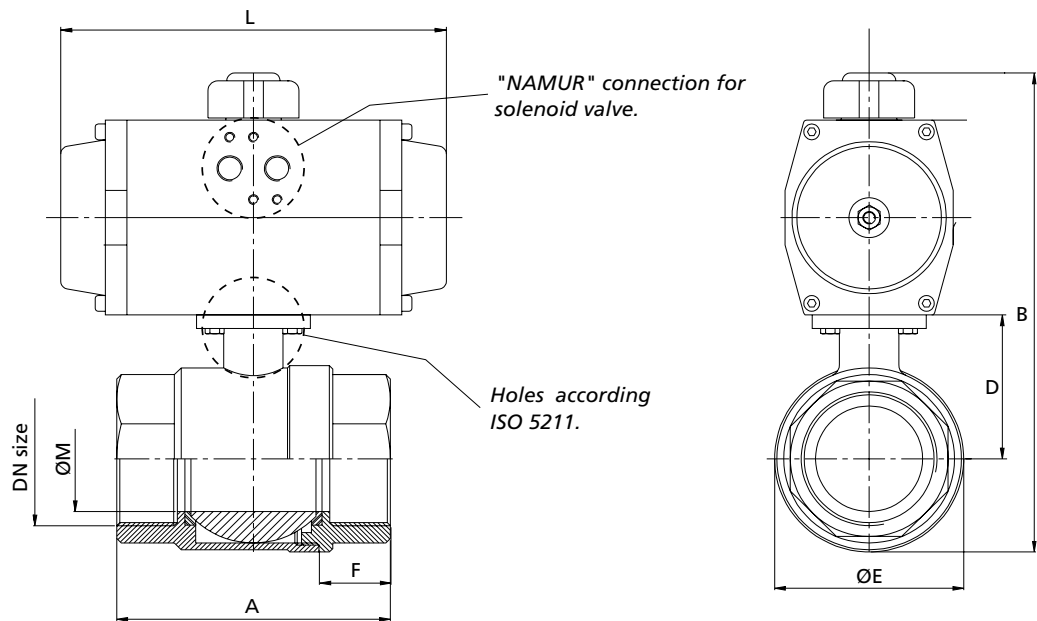
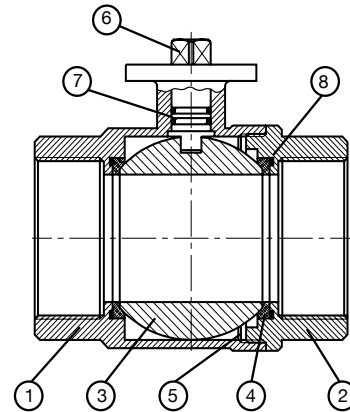
Brass Ball Valve with Pneumatic Actuator – Double Acting

40 BAR Rated



Materials

	Description	Material
1	Body	Hot pressed brass
2	End cap	Hot pressed brass
3	Ball	Brass chrome plated
4	Seat ring	P.T.F.E.
5	Body seal	P.T.F.E.
6	Stem	Brass
7	Stem ring	Viton*
8	O-ring	NBR 70



Overall Dimensions - Double Acting

RS Part No.	Dia mm	Size ins.	Model	A	B	D	ØE	F	L	ØM
7605564	8	1/4"	AP0 - DA	65	115	29	32	17	110	11.5
7605573	10	3/8"	AP0 - DA	65	115	29	32	17	110	15
7605576	15	1/2"	AP0 - DA	65	137	29	32	17	110	15
7605570	20	3/4"	AP1 - DA	75	144	32	40	19	137	20
7605589	25	1"	AP1 - DA	86	151.5	36	47	21	137	25
7605582	32	1 1/4"	AP1 - DA	95	161.5	41	57	22	137	32
7605586	40	1 1/2"	AP2 - DA	101	199.5	57	69	22	150	38
7605595	50	2"	AP2 - DA	120	213	64	82	25	150	47