



ENGLISH

Datasheet

## Foot Switch, Lightweight Polymeric Housing

RS Article No.125-3706

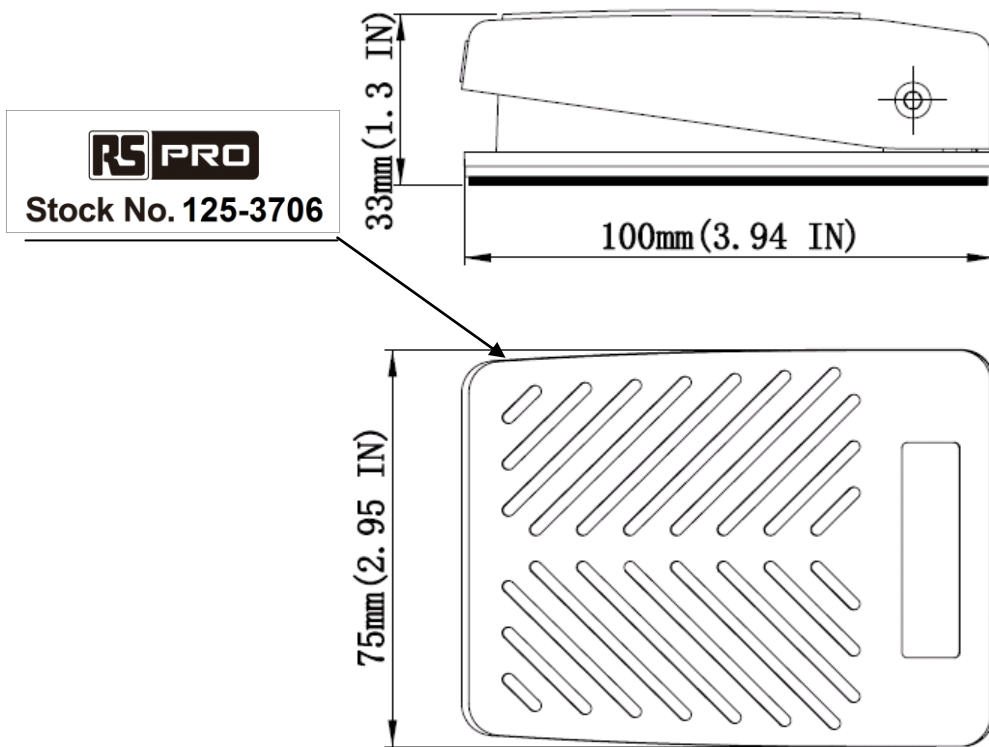


### Specifications:

Operating Frequency:	60 ops/min
Insulation Resistance:	>100 M $\Omega$ @500 V dc
Contact Resistance:	<25 m $\Omega$ (initial)
Rated Current/Voltage:	15 A, 1/2HP, 125/250 V ac
Dielectric Strength:	1000 V ac for 1 min between current carrying parts 2500 V ac for 1 min between non-current carrying parts
Service Life:	Mechanically $1 \times 10^6$ Electrically $5 \times 10^5$
Operating Temperature :	-20~+80° C (-4~176° F)
Degree of Protection:	IP20
Size (L x W x H):	100 x 75 x 33 mm

**Features:**

- Robust glass fiber reinforced plastic
- UL/CSA/CE Certified
- Galvanically separated contacts
- DPDT type(2NO/2NC)
- Momentary type
- 



**Wiring Diagram**

