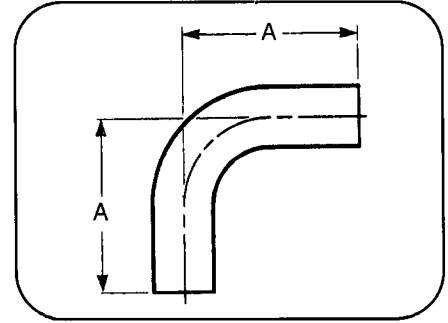


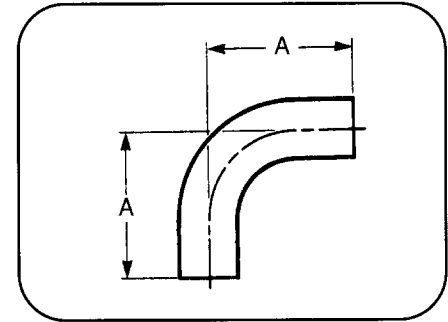
Serving the Dairy, Biotech,
Brewery, Pharmaceutical,
Food Processing and
Chemical Industries.

Plain Bends & Tees

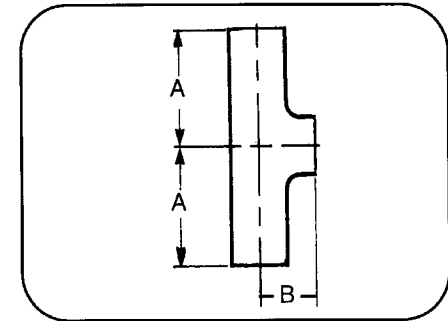
BS4825 PT2



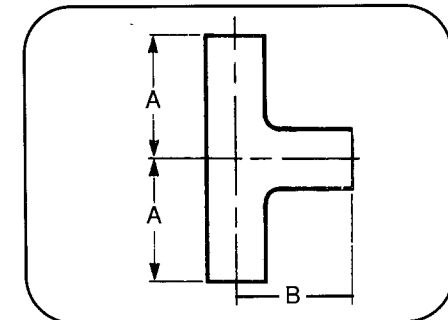
90°	PLAIN BEND					CODE 77 (ISO)	LONG
Size	1	1.5	2	2.5	3	4	
A	65	85	110	135	155	195	



90°	PLAIN BEND					CODE 78 (BS)	SHORT
Size	1	1.5	2	2.5	3	4	
A	44	64	89	114	134	174	



PLAIN PULLED TEE							CODE 169
Size	1	1.5	2	2.5	3	4	
A	44	64	89	114	134	174	
B	14.3	22.2	28.6	34.9	41.3	54	



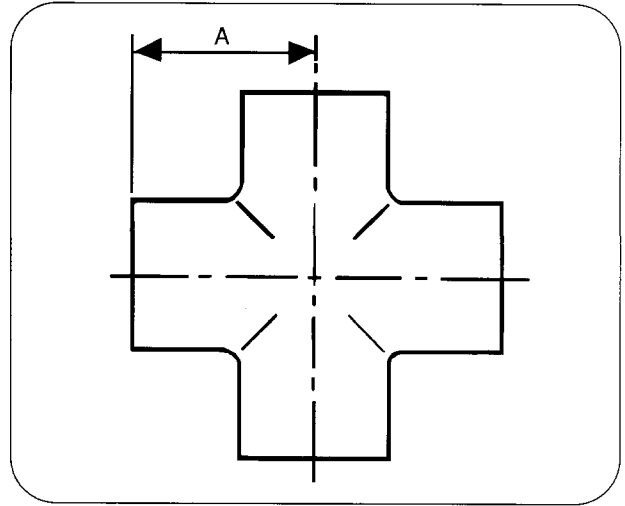
PLAIN TEE						CODE 168	WELDING TYPE
Size	1	1.5	2	2.5	3	4	
A	44	64	89	114	134	174	



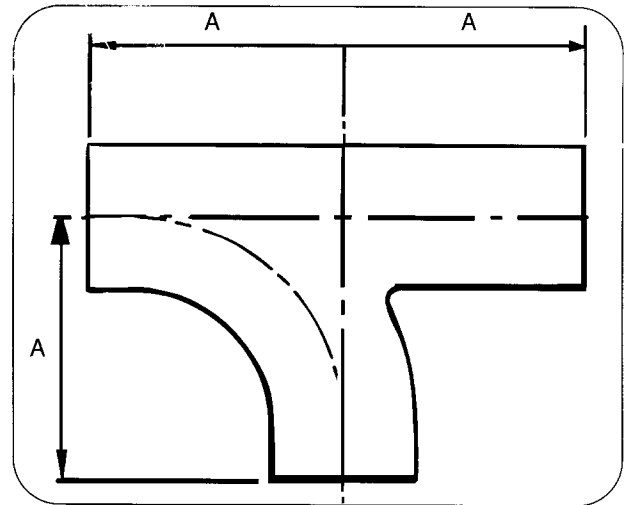
Certificate No. FM 12289

Crosses and 'Y' Pieces

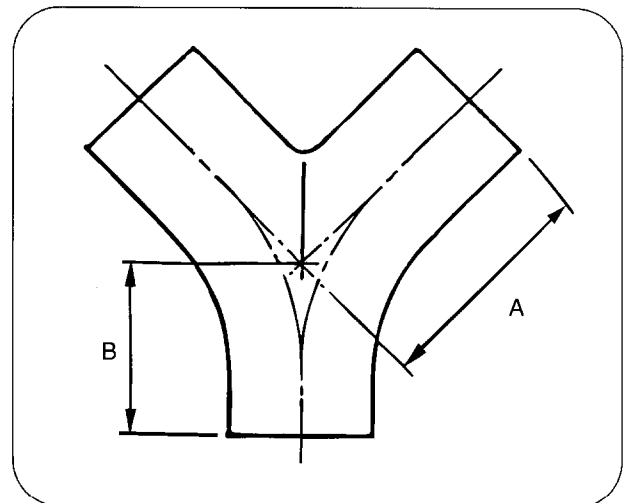
CROSS CODE 177						
Size	1	1.5	2	2.5	3	4
A	44	64	89	114	134	174



SWEPT TEE CODE 170						
Size	1	1.5	2	2.5	3	4
A	65	85	110	135	155	195



'Y' Piece CODE 171						
Size	1	1.5	2	2.5	3	4
A	44	64	89	114	134	174
B	22	31	44	58	67	85



All TUBULAR PRODUCTS AVAILABLE WITH FITTINGS



Design subject to change without notice
Made in England

Dairy Pipe Lines is a business name of Glynwed Engineering Ltd.,
a member of the Glynwed International plc group of companies.

Dairy Pipe Lines
Shire Hill
Saffron Walden
Essex CB11 3AX
England.