

Datasheet

RS Pro Prominent Indicator LED wires Panel Mount, 14mm Mounting Hole Size, Red/Green/Yellow LED, Lead Wires Termination

RS Stock No: **722-7451**



Product Details

RS Pro prominent indicator with 14 mm mounting hole, features red/yellow/green LEDs for panel mount applications. With an IP67 rating, it is suitable for most environments including outdoor applications. This indicator accommodates a lamp size of 10 mm and offers wires termination. It has a voltage rating of 24 V dc. The indicator has a wide operating temperature range of -40 to +85°C, further increasing the potential applications they may be used for. The 10 mm LED requires a 14 mm panel cut-out and is supplied with a fixing nut and spring washer. It offers a wide selection of voltage ratings, bezel finishes and bezel styles.

Features and Benefits

- 14 mm panel mounting LED indicator
- Coloured diffused epoxy lens or water clear super bright LEDs
- Prominent, recessed, chamfer and flush bezel styles
- Sealed to IP67
- Operating temperature range: -40 to +85°C

**Specifications:**

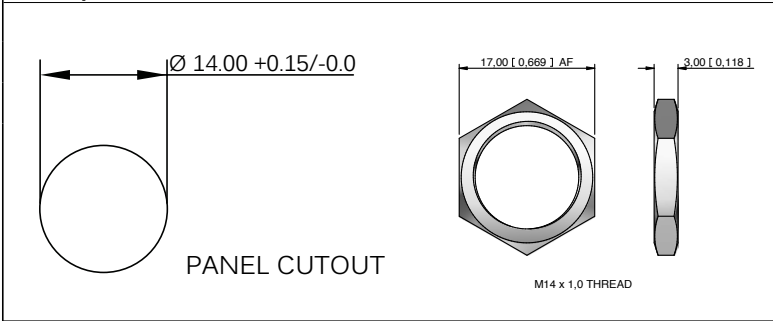
| | |
|----------------------|---|
| Bezel Colour | Black Chrome |
| Bezel Style | Prominent |
| Current Rating | 20 mA |
| Intensity | 60 mcd (Red), 50 mcd (Yellow), 50 mcd (Green) |
| IP Rating | IP67 |
| Lamp Size | 10 mm |
| Lamp Type | LED |
| Length | 24.5 mm |
| Light Output Colour | Red/Green/Yellow |
| Mounting Hole Size | 14 mm |
| Termination Type | Wires |
| Type | Panel Mount |
| Voltage Rating | 24 V dc |
| Temperature Rating | -40 to +85°C |
| LED Colour | Red/Yellow/Green |
| Type of Illumination | Tri-Colour |



ENGLISH

| TECHNICAL SPECIFICATIONS | | |
|--------------------------|-----------------------------------|--|
| Voltage | Operating Voltage (Min to Max) | Operating Current (Typical All Types) |
| 02 (No Resistor) | 1.8 to 3.3VDC | 20mA max* |
| 6VDC | 5.4 to 6.6VDC | 20mA |
| 12VDC | 10.8 to 13.2VDC | 20mA |
| 24VDC | 21.6 to 26.4VDC | 20mA |
| 28VDC | 25.2 to 30.8VDC | 20mA |
| 110VAC | 99 to 121VAC | 6mA |
| 220VAC | 207 to 253VAC | 3mA |

| |
|--|
| Max Reverse Voltage: 5V |
| Viewing Angle: 30–100° (dependant on model) |
| Life Expectancy: 100,000 hours |
| Temperature Range: –40 to +85°C (operating & storage) |
| Torque: 75cNm |



| Standard LED Intensity | Prominent and Recessed | Flush | Forward Voltage |
|--|------------------------|-------------|-----------------|
| HE Red | 80mcd | 10mcd | 2.0V |
| Green | 60mcd | 5mcd | 2.2V |
| Yellow | 50mcd | 4mcd | 2.1V |
| Blue | 540mcd | 100mcd | 3.3V |
| White | 1000mcd | 150mcd | 3.3V |
| Orange | 80mcd | 200mcd | 2.0V |
| Bi-color (Typical) (Red/Green) | 15/15mcd | 14/10mcd | 2.0V/2.2V |
| Tri-color (Typical) (Red/Green/Yellow) | 60/50/50mcd | 15/10/30mcd | 2.0V/2.2V/2.1V |

Bi-color - The color is changed by reversing the polarity of the supply voltage.
 Tri-color - The indicator has red and green LEDs, when both connected yellow is produced.

| Super Bright LED | Prominent and Recessed | Flush | Forward Voltage |
|------------------|------------------------|----------|-----------------|
| HE Red | 17,000mcd | 2,000mcd | 2.2V |
| Green | 11,000mcd | 680mcd | 3.5V |
| Yellow | 4,000mcd | 350mcd | 2.3V |
| Blue | 2,500mcd | 250mcd | 3.3V |
| White | 4,400mcd | 250mcd | 3.3V |
| Orange | 2800mcd | 300mcd | 2.1V |

| Hyper Bright LED | Prominent and Recessed | Flush | Forward Voltage |
|------------------|------------------------|--------|-----------------|
| HE Red | 2,800mcd | 800mcd | 2.1V |
| Green | 2,200mcd | 250mcd | 3.2V |
| Yellow | 1,300mcd | 250mcd | 2.0V |
| Orange | 850mcd | 200mcd | 2.1V |

Luminous intensity will be reduced with lower operating current.

Note: The operating voltage must not be exceeded by more than 10% as this will result in reduced life expectancy.
 The company reserves the right to change specifications without notice.
 * Customer to supply resistor for desired operating current.
 Luminous intensity is measured at 20mA on a discrete LED unless otherwise stated.
 Luminous intensities and color shades of white LEDs may vary within a batch.
 LED characteristics are dependent upon environmental conditions. Therefore published data should be considered nominal.

Technical Drawings

PROMINENT BEZEL

