



Datasheet

RS PRO Accessories for DIN rail

Stock number: 2069066

EN

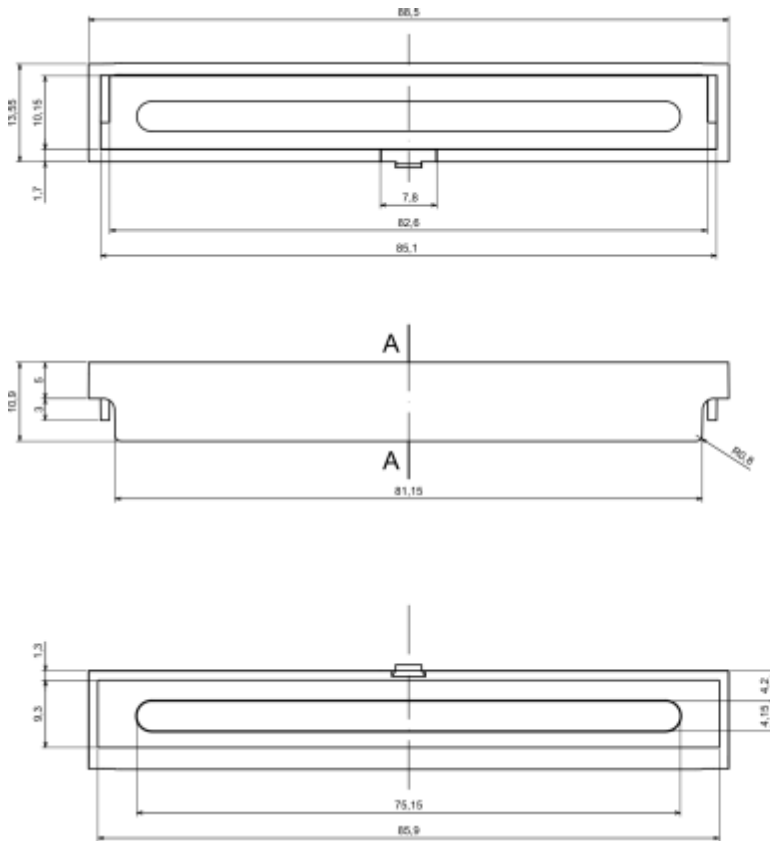


Product Details

Five module universal slot mask. Used when the housing is to have a connector in which all connections will be used. Slot mask designed for ZD1005, ZD1010 enclosures.

Features and Benefits

- Universal terminal cover for five module slot.



Category	Accessories
Material	ABS V0
Height	10.9 mm
Width	13.6 mm
Length	88.5 mm
Color	Lightgray (J)
Standards Met	RoHS Compliant
Certificate number	

CE

