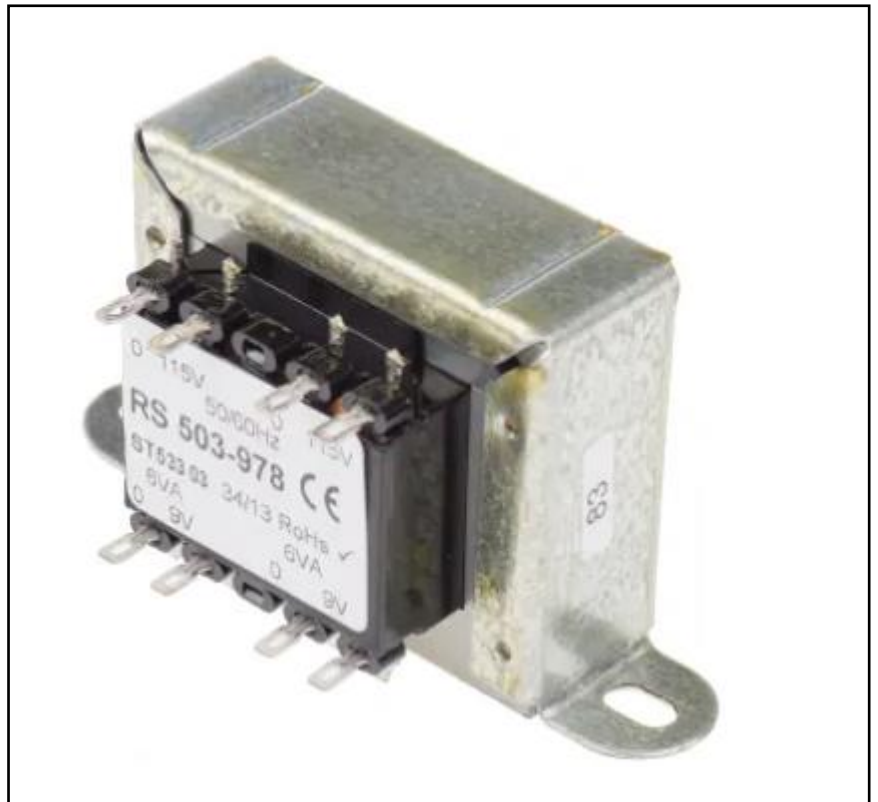


Features

- Double section bobbin construction
- Full varnish impregnation
- Two hole fixing wrap-over clamps
- Multi-hole frame fixing 100VA
- Solder tag terminations

RS PRO Clamp Mount Transformer series, 2 x 115 V

RS Stock No.: see below



RS PRO Professionally Approved Products bring to you professional quality parts across all product categories. Our product range has been tested by engineers and provides a comparable quality to the leading brands without paying a premium price.

Product Description

The RS PRO Clamp Mount Transformers 6VA to 50VA are high-quality isolating transformers designed for use in general applications. Both input and output can be connected for double voltage or for double power – by series connection or parallel connection. Designed according to the following specifications.

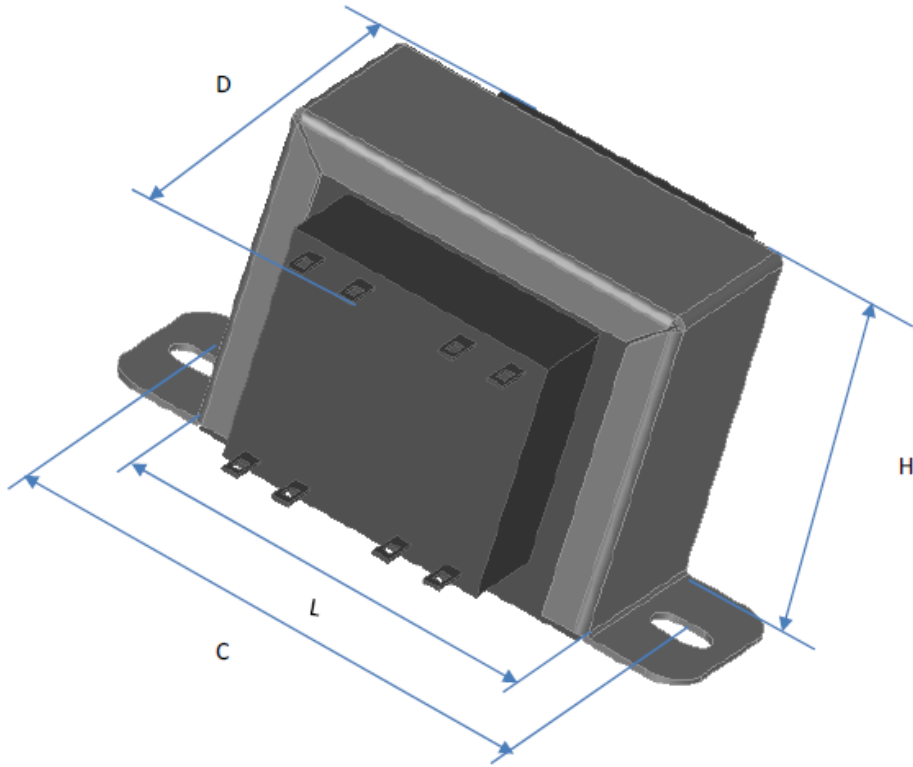
General Specifications

Noise Laminations	Low
Construction	Double section bobbin construction providing double or re-enforced insulation with the shrouds
Bobbins	Fully shrouded bobbins
Fixing	2-hole clamp fixing
Termination	Solder tag terminations
Impregnation	Full varnish impregnation
Design	High efficiency, low regulation design
Testing	100% electrical and flash tested
Further Features	<ul style="list-style-type: none"> • Optional terminal shrouds • Detailed product specification on permanent label

Electrical Specifications

Power	6 – 50 VA
Frequency	50 / 60 Hz
Primary	2 x 11.5 VAC, +/- 10%
Secondary	2x5, 2 x 6,2x9, 2x12 , 2x15,2x18,2 x 20 or 2 x 24 V
Isolation	4 kV RMS
Safety Precautions	Never touch the primary side unless not connected to the mains. Do not mix primary side and secondary side connections. For 115V always use both primary windings in parallel.

Dimensions and fittings:



Mechanical Specifications

Power	Overall Size	Fixing		Weight	Efficiency
[VA]	L x D x H [mm]	C [mm]	Slot size	[kg]	%
6	45 x 40 x 37	53.5	4 x 5.5	0.20	> 80 %
12	59 x 50 x 50	70	4.7x8.7	0.4	>87%
20	59x57x50	70	4.7x8.7	0.55	> 80 %
50	79x62x65	92	4.7x9.5	1.0	>84%

Operation Environment Specifications

Temp class	Ta (70°) / B
------------	--------------

Protection Category

IP Rating	IP00
-----------	------

Approvals

Approvals	8888
Certifications	UKCA, CE, RoHS
Standards/ Conformity	BS3535; EN 60 742 BS/EN 61558-1 and BS/EN 61558-2-6 AS/NZS 61558.1 and AS/NZS 61558.2.6 IEC 61558-1, IEC 61558-2-6 or IEC 61558-2-4

Similar Products

RS Stock No.	Power VA	Specification	No-load voltage	According to
503994	6	Clamp mounting Transformer, 2x115V / 2x6V	8.0 V	IEC61558-2-6 / EN61558-2-6
503990	6	Clamp mounting Transformer, 2x115V / 2x9V	11.7 V	IEC61558-2-6 / EN61558-2-6
503984	6	Clamp mounting Transformer, 2x115V / 2x12V	15.5 V	IEC61558-2-6 / EN61558-2-6
503972	6	Clamp mounting Transformer, 2x115V / 2x15V	19.5 V	IEC61558-2-6 / EN61558-2-6
503962	6	Clamp mounting Transformer, 2x115V / 2x24V	31.8 V	IEC61558-2-6 / EN61558-2-6
503966	12	Clamp mounting Transformer, 2x115V / 2x6V	6.85 V	IEC61558-2-6 / EN61558-2-6
503978	12	Clamp mounting Transformer, 2x115V / 2x9V	10.35 V	IEC61558-2-6 / EN61558-2-6
503988	12	Clamp mounting Transformer, 2x115V / 2x12V	13.6 V	IEC61558-2-6 / EN61558-2-6
504284	12	Clamp mounting Transformer, 2x115V / 2x15V	17.3 V	IEC61558-2-6 / EN61558-2-6
504268	12	Clamp mounting Transformer, 2x115V / 2x24V	27.2 V	IEC61558-2-6 / EN61558-2-6
504278	20	Clamp mounting Transformer, 2x115V / 2x6V	6.95 V	IEC61558-2-6 / EN61558-2-6
504274	20	Clamp mounting Transformer, 2x115V / 2x9V	10.35 V	IEC61558-2-6 / EN61558-2-6
504280	20	Clamp mounting Transformer, 2x115V / 2x12V	13.9 V	IEC61558-2-6 / EN61558-2-6
504262	20	Clamp mounting Transformer, 2x115V / 2x15V	17.5 V	IEC61558-2-6 / EN61558-2-6
504230	20	Clamp mounting Transformer, 2x115V / 2x24V	27.8 V	IEC61558-2-6 / EN61558-2-6
504240	50	Clamp mounting Transformer, 2x115V / 2x6V	6.6 V	IEC61558-2-6 / EN61558-2-6
504246	50	Clamp mounting Transformer, 2x115V / 2x9V	10.0 V	IEC61558-2-6 / EN61558-2-6
504256	50	Clamp mounting Transformer, 2x115V / 2x12V	13.3 V	IEC61558-2-6 / EN61558-2-6
504252	50	Clamp mounting Transformer, 2x115V / 2x15V	16.7 V	IEC61558-2-6 / EN61558-2-6
504329	50	Clamp mounting Transformer, 2x115V / 2x24V	26.7 V	IEC61558-2-6 / EN61558-2-6



Schematic/connection options:

