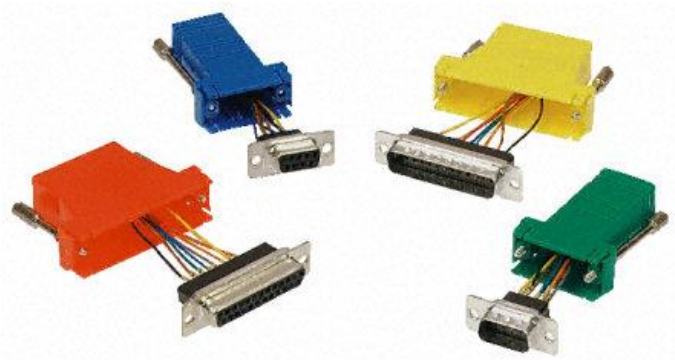


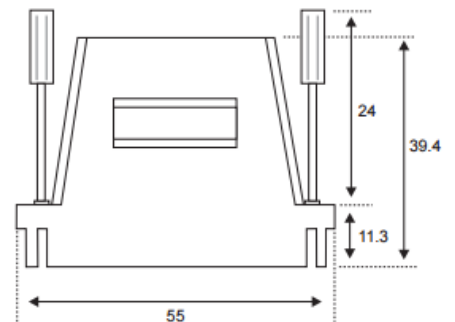
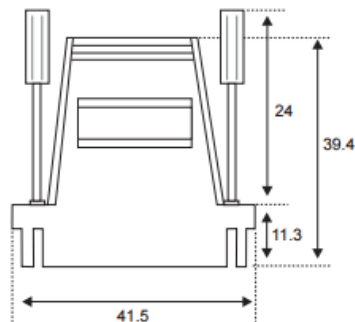
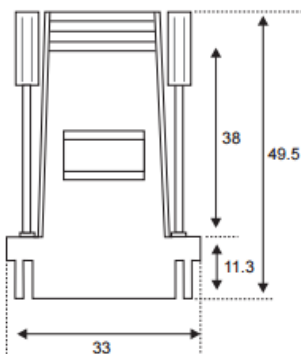
## Datasheet

# Green 9 way D plug w/RJ45 socket adaptor

RS Stock number 314-8199



### Dimensions: (mm)



## Specifications

RJ45 : Modular

Pin : Cord Colour Green