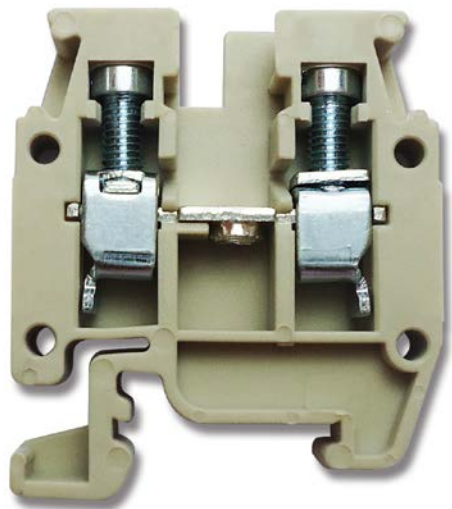


Product Datasheet

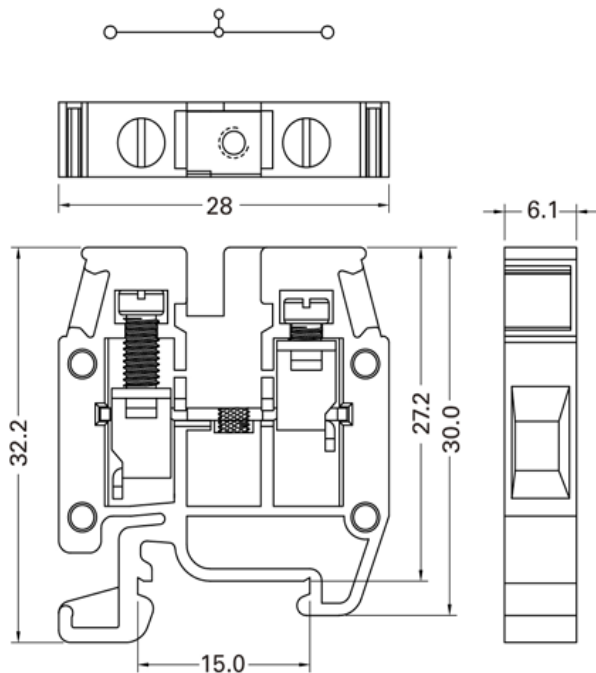
Din Rail micro Terminal Blocks 4sq.mm

Screw Clamp micro Terminal Blocks, 30A, 300V, 22-10 AWG, 0.5-4 sq.mm

878-7512



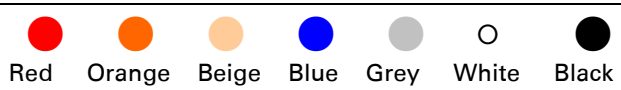

Dimensions in mm





ENGLISH

Product Specifications:

Specifications	4mm ²
Technical Date	Rated voltage / Rated current / Wire size
UL	300V / 30A / AWG 22-10
CSA	300V / 30A / AWG 22-10
IEC	500V / 32A / 0.5-4mm ²
Insulating impulse voltage withstand/pollution degree	6KV / 3
Torque (in -lbs)	7.7
Clamping Screw (M)	M3
Insulation stripping length (mm)	6~8 mm
Net weight per piece	5.1g
Material / Available Color (Standard Color: Beige)	 Red Orange Beige Blue Grey White Black
Rail Dimensions	T/W/H (mm)
For TS15x5.5 	6.1 x 28 x 33