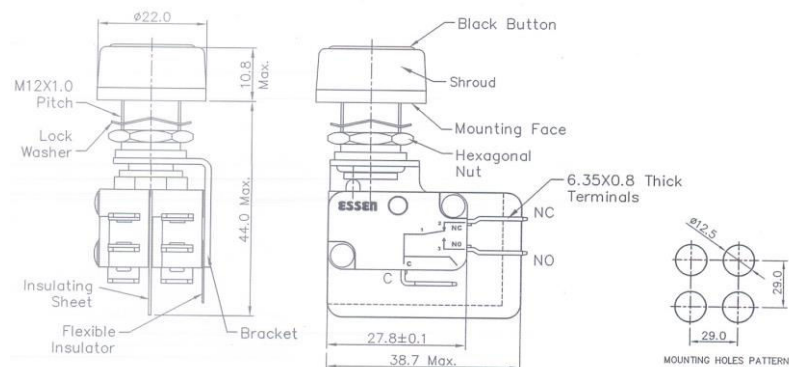


FEATURES

- VERSATILE SWITCH SUITABLE FOR HEAVY DUTY APPLICATIONS.
- COMPATIBLE WITH ALL INDUSTRY STANDARD V3 SWITCHES.
- LONG MECHANICAL AND ELECTRICAL LIFE.
- CONFORM TO IEC 1058-1 STANDARD
- CE / CSA us APPROVED

RS PRO Miniature Micro Switch

RS Stock No.: 804-6243



RS Professionally Approved Products bring to you professional quality parts across all product categories. Our product range has been tested by engineers and provides a comparable quality to the leading brands without paying a premium price.

Product Description

- *V3 switches are ideal for many heavy duty applications including automotive, vending machines, telecommunication equipment, security products and instrumentation, conveyors, machine tools.*
- *Positive snap action mechanism.*
- *Black push button actuator.*
- *Quick connect terminals 6.35mm (#250).*
- *Long mechanical and electrical life.*
- *Fine silver contacts.*

General Specifications

Contact Configuration	DPDT
Contact Arrangement	2No + 2NC snap action
Contacts	Pure Silver, Bimetal, Silver plated
Terminal	Copper alloy, Silver plated
Plunger	Nylon
Case	30% Glass filled thermoplastic UL 94V0

Electrical Specifications

Rating	Load	Rating
	AC-15	16 Amp at 250 V
		5 Amp at 440 V
	DC -13	0.6 Amp at 110V(RESISTIVE)
		0.03 Amp at 220V(RESISTIVE)
		0.1 Amp at 110V(INDUCTIVE)
		0.05 Amp at 220V(INDUCTIVE)
Contact Resistance		15 milliohms max (initial)
Insulation Resistance		100 Megaohms min at 500 VDC
Voltage proof		1500V AC between each terminalshorted and body and 1000VAC between open contacts.
Electrical life		100,000 operations at rated load.
Mechanical life		10,00000 operations

Mechanical Specifications

Operating Force (OF)	800gmsmax.
Release Force (RF)	160gmsmin.
Cut out size	ø12.5mm max.
Centre distance between two adjacent units	29.0mm.
Mounting	Side mounted,use two M3 screwswith plain washers or spring washers. Tighten the screws at a torque of 3 Kg-cm
Unit Weight	32.3gmsApprox

Operation Environment Specifications

Operating Temperature Range	-40°C to 85°C
------------------------------------	---------------

Protection Category

IP Rating	IP40
------------------	------

Approvals



Compliance/Certifications

CE/CSA

Similar Products

Parameters	Stock#	Stock#	Stock#	Stock#
Brand	RS PRO	RS PRO	RS PRO	RS PRO
Contact Configuration				
Switch Operation				
Illuminated				
Actuator Colour				
Actuator Shape				
Legend Text				
Legend Text Colour				
Lens Shape/Symbol				
Contact Material				
Case Material				
Actuator Style				
Contact Current Rating				
AC Voltage Rating				
DC Voltage Rating				
Terminal Type				
Termination Style				
Contact Resistance				
Minimum Insulation Resistance				
Dielectric Strength				
Panel Cut Out Size				
Panel Cut Out Width				
Panel Cut Out Height				
Panel Cut Out Diameter				
Mounting Type				
Operating Temperature Range				
IP Rating				
Compliance/Certifications				

CONSTRUCTIONAL DIAGRAM/CIRCUIT DIAGRAMS