

USB Type-C Receptacle

SMT + Dip Type, HF, with Spring

multicomp PRO

**RoHS
Compliant**

Specifications:

Mechanical

Insertion Force : 5N to 20N
 Withdrawal Force : 8N to 20N
 After 10,000 cycles mating : 6N ~ 2N Min.

Electrical

Applied current (requirement)

VBUS Pin: 5A
 GND Pin: 6.25A
 VConn Pin: 1.25A
 Other Contacts: 0.25A

Withstanding Voltage : 100V AC for 1 minute.
 Insulation Resistance : 100MΩ Min.
 Contact Resistance : Initial: 40mΩ Max.
 After Test: 50mΩ Max.

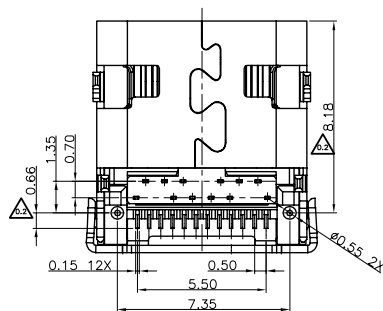
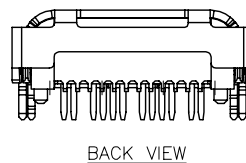
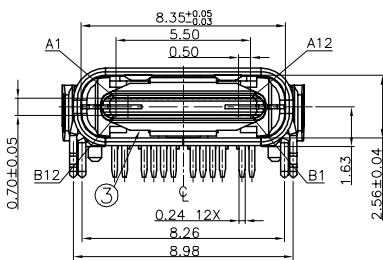
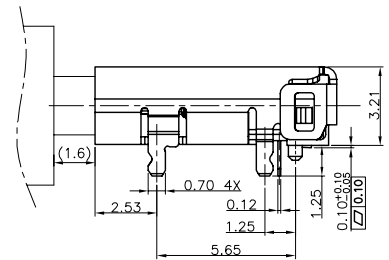
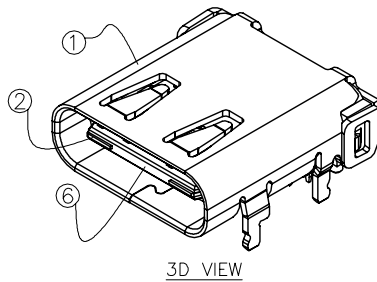
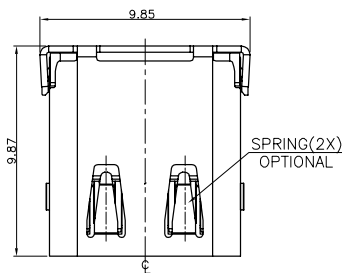
Shell Plating : Nickel Plated
 Contact Plating : Contact Area: Au 1μ", Solder Area: Gold Flash

Environmental

Operation Temperature : -25°C to +85°C



Diagram



Centre Height H=1.63mm, Dip L=1.25mm

No.	Name	Material	Qty.
1.	Shell	SUS	1
2.	Latch	SUS	1
3.	EMI	SUS	1
6.	Latch Housing	Thermoplastic, UL94V-0	1

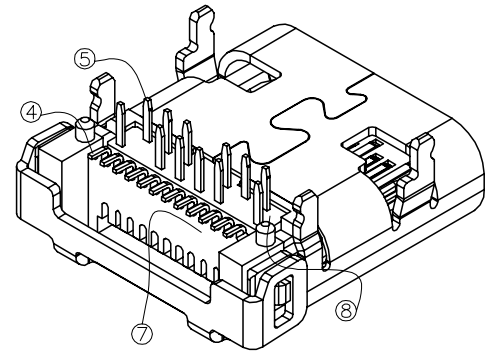
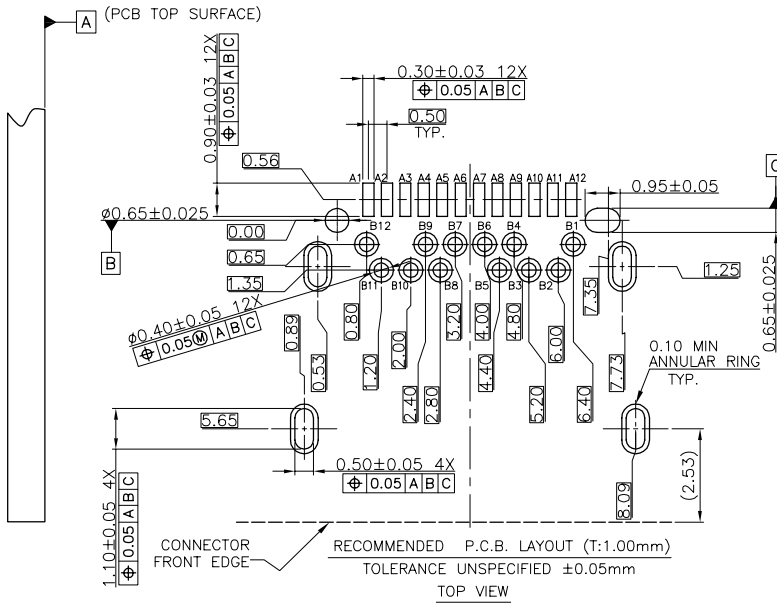
Dimensions : Millimetres

Newark.com/multicomp-pro
 Farnell.com/multicomp-pro
 Element14.com/multicomp-pro

multicomp PRO

USB Type-C Receptacle

SMT + Dip Type, HF, with Spring



Dimensions : Millimetres

No.	Name	Material	Qty.
4.	SMT Conector	Copper Alloy	12
5.	DIP Conector	Copper Alloy	12
7.	SMT Housing	Thermoplastic, UL94V-0	1
8.	DIP Housing	Thermoplastic, UL94V-0	1

Part Number Table

Description	Part Number
USB Type-C Receptacle, w/ Spring, 24 Position, SMT +TH, Black	MC001002

Important Notice : This data sheet and its contents (the "Information") belong to the members of the AVNET group of companies (the "Group") or are licensed to it. No licence is granted for the use of it other than for information purposes in connection with the products to which it relates. No licence of any intellectual property rights is granted. The Information is subject to change without notice and replaces all data sheets previously supplied. The Information supplied is believed to be accurate but the Group assumes no responsibility for its accuracy or completeness, any error in or omission from it or for any use made of it. Users of this data sheet should check for themselves the Information and the suitability of the products for their purpose and not make any assumptions based on information included or omitted. Liability for loss or damage resulting from any reliance on the Information or use of it (including liability resulting from negligence or where the Group was aware of the possibility of such loss or damage arising) is excluded. This will not operate to limit or restrict the Group's liability for death or personal injury resulting from its negligence. Multicomp Pro is the registered trademark of Premier Farnell Limited 2019.

Newark.com/multicomp-pro
 Farnell.com/multicomp-pro
 Element14.com/multicomp-pro

