

FEATURES

- Micro wire saddles with sprung top loading for use where space is at a premium
- Short projection below panel
- Material Nylon 6-6 , RMS-01
- Flammability rating UL 94 V-2

RS PRO Cable Clamp Natural Adhesive Nylon Cable Clamp

RS Stock No.: 241-4782



RS Professionally Approved Products bring to you professional quality parts across all product categories. Our product range has been tested by engineers and provides a comparable quality to the leading brands without paying a premium price.

Product Description

From RS PRO, this nylon self-adhesive cable clip is perfect for light duty cable management solutions. With a broad adhesive application area, and a lightweight body, the clip is incredibly easy to install on any flat, clean surface. Wires and cables can be easily slotted into and removed from the flexible clamp.

Options available with various lengths:

[241-4760](#) - 4.1 mm

[241-4776](#) - 6.1 mm

[241-4782](#) - 7.4 mm

[241-4798](#) - 9.1 mm

[241-4805](#) - 11.2 mm

[241-4827](#) - 13 mm

General Specifications

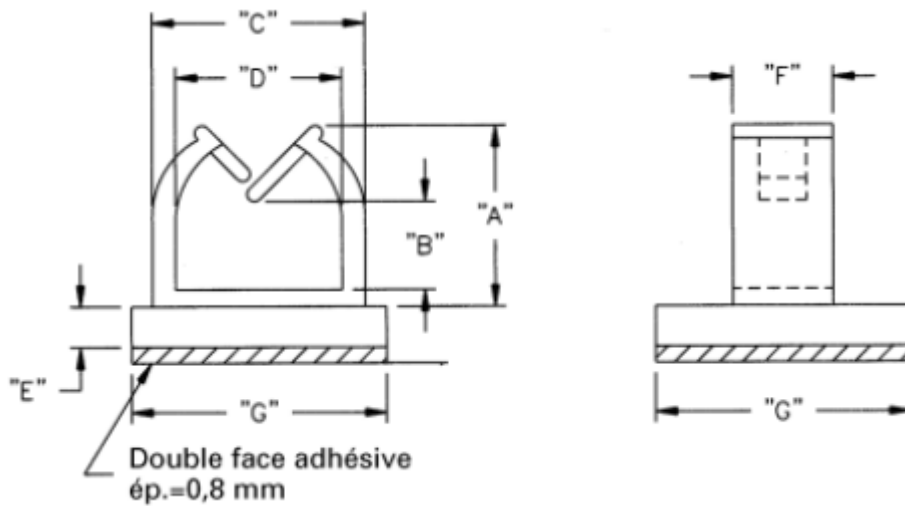
| | |
|-------------------------------|----------------------------------------------------------------------------------------------------------------------------------------------------------------------------------------------------------------------------------------------------------------------------------------------------------------------------------------------------------------------------------|
| Material | Nylon66 |
| Colour | Natural |
| Affixing Method | Adhesive |
| Cable Clip/Clamp Style | Cable-clamp |
| UV-Resistant | No |
| Applications | This nylon cable clips can be used for affixing single wires or bundles of cables within the stated maximum diameter, These cable holders are for light wire management in indoor locations, They are widely used in both home and workplace settings, and places where you are likely to find lengths of wire running between components outside of a cabinet or other housing. |

Mechanical Specifications

| | |
|-------------------|------------------------|
| Dimensions | 7.4mm x 12.7mm x 9.1mm |
| Length | 7.4mm |
| Width | 12.7mm |
| Depth | 9.1mm |

Approvals

| | |
|----------------------------------|------------------------------------|
| Compliance/Certifications | RoHS certificate of compliance ,UL |
|----------------------------------|------------------------------------|



| Dimensions (mm) | | | | | | | |
|-----------------|------|-----|------|-----|-----|-----|------|
| Adhesive Base | A | B | C | D | E | F | G |
| 241-4760 | 4.1 | 1 | 7.1 | 4.6 | 1.5 | 2 | 9.4 |
| 241-4776 | 6.1 | 2.8 | 7.1 | 4.6 | 1.5 | 2 | 9.4 |
| 241-4782 | 7.4 | 3 | 9.1 | 6.4 | 2 | 4.1 | 12.7 |
| 241-4798 | 9.1 | 4.1 | 10.7 | 7.9 | 2 | 4.1 | 12.7 |
| 241-4805 | 11.2 | 6.1 | 11.9 | 8.9 | 2 | 4.1 | 12.7 |
| 241-4827 | 13 | 7.6 | 11.9 | 8.9 | 2 | 4.1 | 12.7 |

