



Datasheet

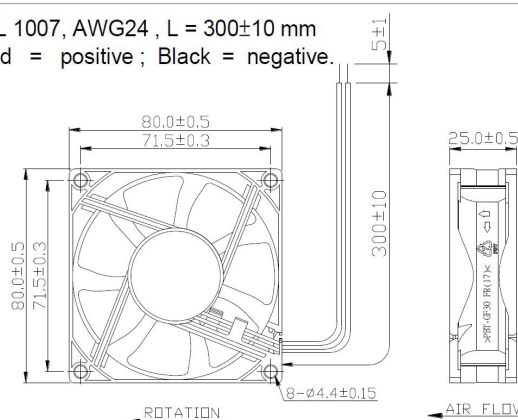
RS PRO DC FAN 80×25mm WITH IP55

Stock number: 175-9811

EN



LEAD WIRES : UL 1007, AWG24 , L = 300±10 mm
Red = positive ; Black = negative.



Frame	PBT, UL94V-O plastic	Operating Temperature	<p>Graph showing Static Pressure (H₂O) vs Airflow (CFM) for model 175-9811. The curve shows a decrease in static pressure as airflow increases, starting at approximately 0.15 H₂O at 0 CFM and reaching 0 at 36 CFM.</p> <table border="1"><thead><tr><th>Airflow (CFM)</th><th>Static Pressure (H₂O)</th></tr></thead><tbody><tr><td>0</td><td>0.15</td></tr><tr><td>9</td><td>0.12</td></tr><tr><td>18</td><td>0.08</td></tr><tr><td>27</td><td>0.05</td></tr><tr><td>36</td><td>0.00</td></tr></tbody></table>	Airflow (CFM)	Static Pressure (H ₂ O)	0	0.15	9	0.12	18	0.08	27	0.05	36	0.00
Airflow (CFM)	Static Pressure (H ₂ O)														
0	0.15														
9	0.12														
18	0.08														
27	0.05														
36	0.00														
Impeller	PBT, UL94V-O plastic	-10C ~ +70C													
Connection	Wire Leads, 24 AWG	Storage Temperature													
Motor	Brushless DC Motor, Polarity protected	-40C ~ +70C													
Bearing System	Dual ball bearing	Life Expectancy													
Insulation Resistance	10M ohm between leadwire and frame (500VDC).	70,000 hours (L10 at 40C)													
Dielectric Strength	1 min at 500 VAC	IP55 Rated													
		Weight: ~ 0.025 Kgs (0.06 lbs)													

Model Number	175-9811
Nominal Voltage	12 VDC
Voltage Range	10.8-13.2 VAC
Rated Power	2.16 W (60Hz)
Rated Speed (RPM)	3000
Airflow - CFM	37.24
Noise Level - (dB)	35.8
Max. Static Pressure	0.16" H ₂ O