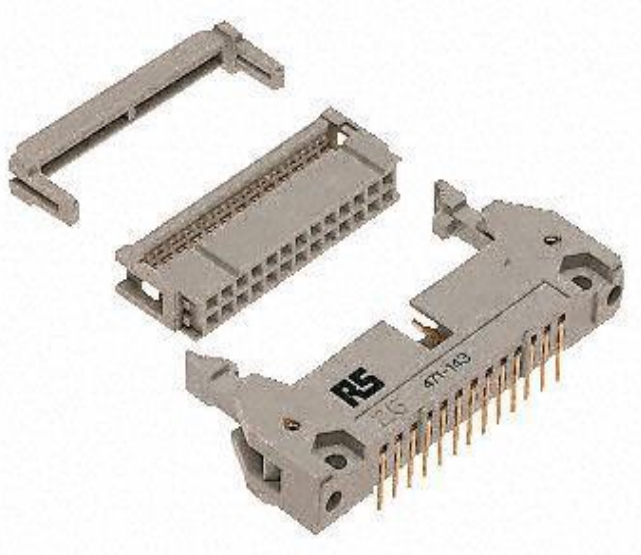


Datasheet

34 way universal straight plug

RS Stock number 471-159



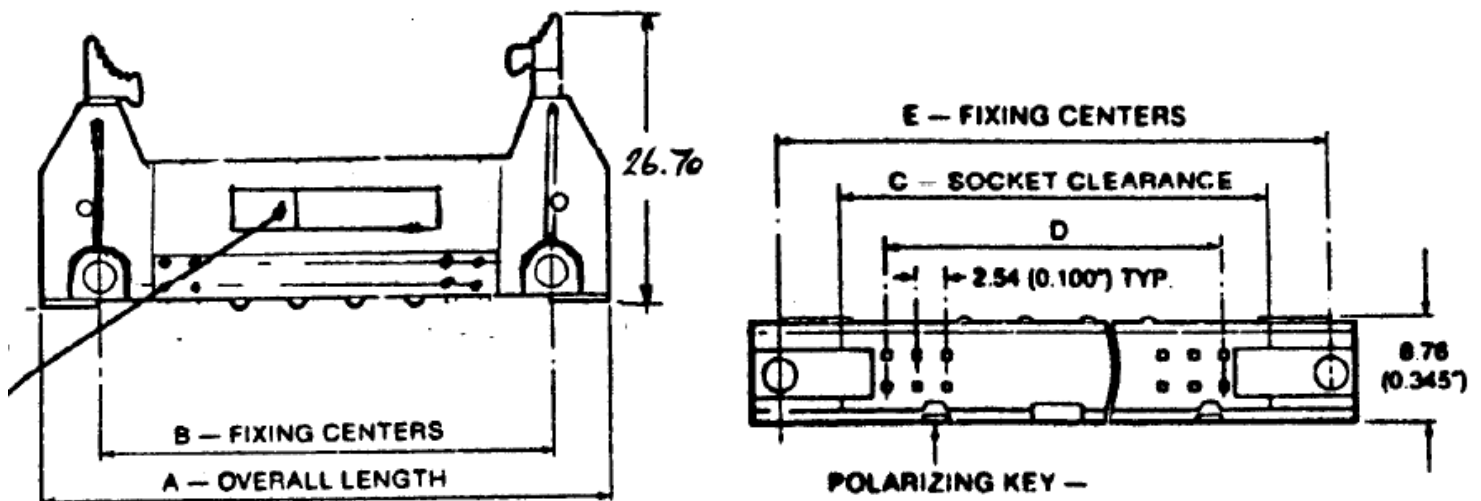
Specifications

Material:

- Housing: Glass filled PBT
- Colour: Grey UL94V-0
- Contacts: Brass
- Plating: Gold flash over Nickel
- Insulation Material: Grey glass filled polyester

Electrical characteristics:

- Current Rating: 1 Amp Max
- Insulator Resistance: 5000M ohm Min at DC 500V
- Contact Resistance: 6m ohm typical
- Operating Temperature: -55°C ~ +105°C
- Approval: ULE119708



| Stock No | No. of Pins | A | B | C | D | E |
|----------|-------------|-------|-------|-------|-------|-------|
| 471-109 | 10 | 32.00 | 21.79 | 18.00 | 10.16 | 27.90 |
| 471-115 | 14 | 37.08 | 26.87 | 23.08 | 15.24 | 32.97 |
| 471-121 | 16 | 39.62 | 29.41 | 25.62 | 17.78 | 35.50 |
| 471-137 | 20 | 44.70 | 34.50 | 30.70 | 22.86 | 40.60 |
| 471-143 | 26 | 52.32 | 42.10 | 38.32 | 30.48 | 48.30 |
| 471-159 | 34 | 62.48 | 52.27 | 48.48 | 40.64 | 58.40 |
| 471-165 | 40 | 70.10 | 59.90 | 56.10 | 48.26 | 66.00 |
| 471-171 | 50 | 82.80 | 72.60 | 68.80 | 60.96 | 78.70 |