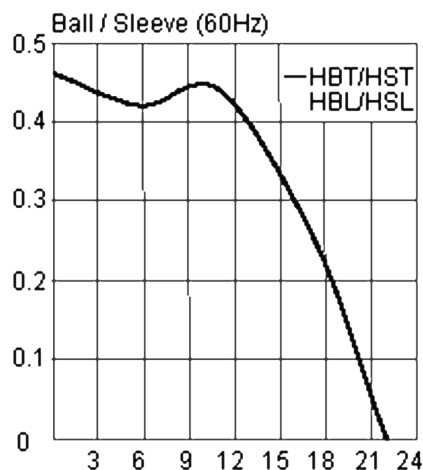
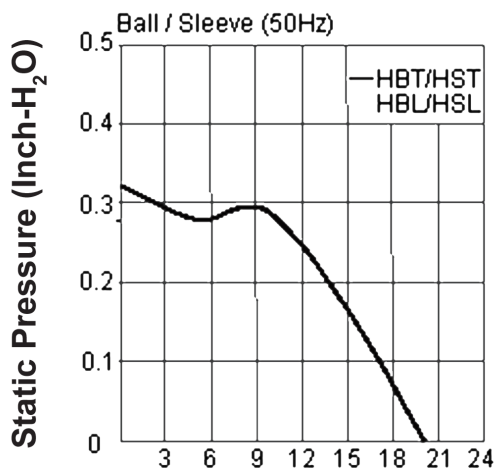


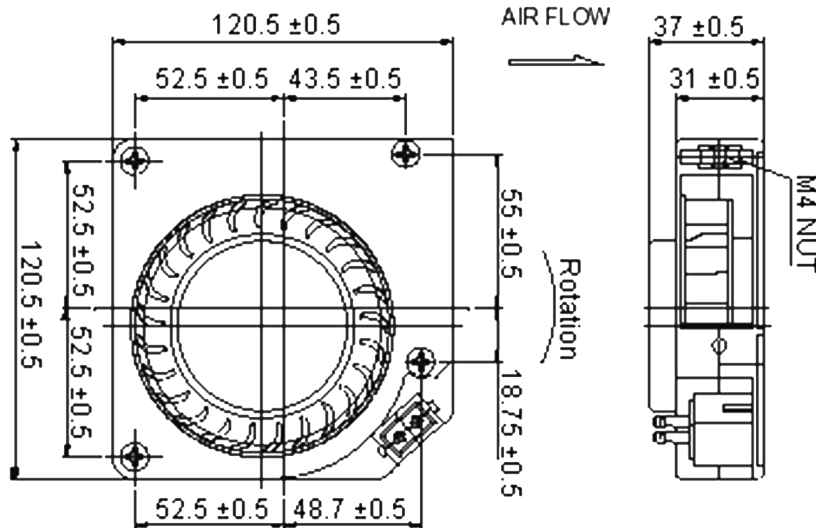


### Specifications:

External Height / Width / Depth	: 120mm
Current Type	: AC
Flow Rate	: 0.62m <sup>3</sup> /min
Noise Rating	: 50dBA
Bearing Type	: Ball
Power Connection Type	: Terminals
Case Material	: Aluminium
Frequency	: 50Hz to 60Hz
Material	: Thermoplastic PBT
Operating Temperature	: -10°C to +70°C
Power Consumption	: 18W
Speed Range Max	: 2,900rpm
Size	: 120mm × 120mm × 31mm



Airflow (CFM)



Dimensions : Millimetres

Bearing	Voltage Rating (V AC)	Frequency (Hz)	Power Current (A)	Power Consumption (W)	Speed (RPM)	Air Flow (CFM)	Static Pressure (Inch-H <sub>2</sub> O)	Noise (dBA)	Weight (g)
Sleeve	115	50/60	0.25/0.21	20/18	2,600/2,900	20/22	0.32/0.46	48/50	678
Ball									
Sleeve	220-240	50/60	0.14/0.11	20/18	2,600/2,900	20/22	0.32/0.46	48/50	678
Ball									

## Part Number Table

Description	Part Number
Blower, 115V AC, 120mm × 120mm × 31mm	MCAB1123-HBT.GN
Blower, 240V AC, 120mm × 120mm × 31mm	MCAB2123-HST.GN
Blower, 240V AC, 120mm × 120mm × 31mm	MCAB2123-HBT.GN

**Important Notice :** This data sheet and its contents (the "Information") belong to the members of the Premier Farnell group of companies (the "Group") or are licensed to it. No licence is granted for the use of it other than for information purposes in connection with the products to which it relates. No licence of any intellectual property rights is granted. The Information is subject to change without notice and replaces all data sheets previously supplied. The Information supplied is believed to be accurate but the Group assumes no responsibility for its accuracy or completeness, any error in or omission from it or for any use made of it. Users of this data sheet should check for themselves the Information and the suitability of the products for their purpose and not make any assumptions based on information included or omitted. Liability for loss or damage resulting from any reliance on the Information or use of it (including liability resulting from negligence or where the Group was aware of the possibility of such loss or damage arising) is excluded. This will not operate to limit or restrict the Group's liability for death or personal injury resulting from its negligence. Multicomp is the registered trademark of the Group. © Premier Farnell plc 2012.