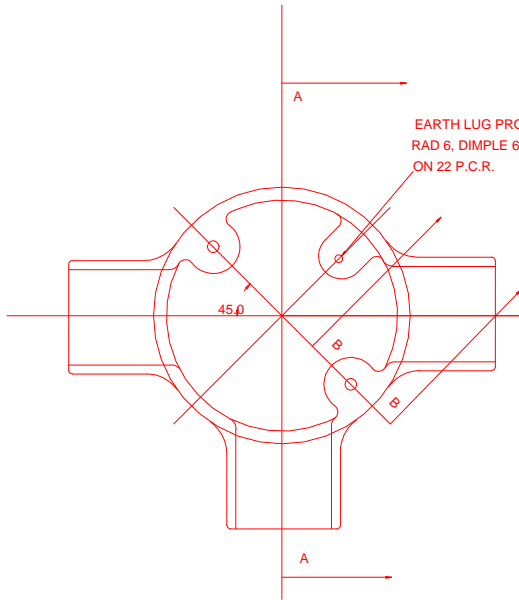
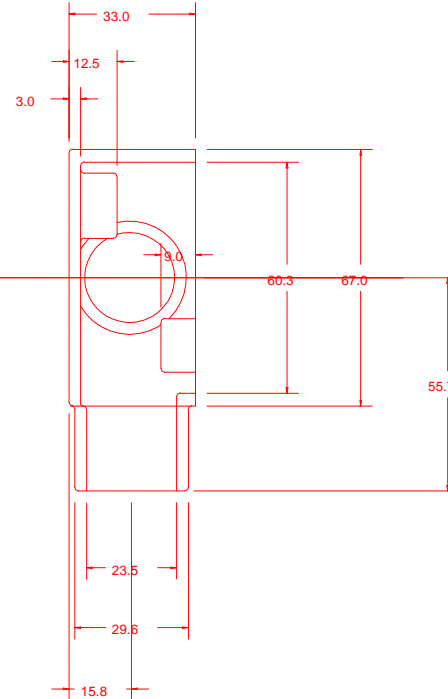


SECTION B-B



EARTH LUG PROFILE  
RAD 6, DIMPLE 6 DIA  
ON 22 P.C.R.



SECTION A-A



LID AND GASKET INCLUDED (NOT SHOWN)

TITLE <b>25MM TEE BOX</b>	DATE <b>29/11/02</b>	DRAWN <b>MSE</b>	MATERIAL <b>316C16F ST/ST</b>	TOLERANCES +/- 0.5mm ON HOLE CTRS +/- 3.5 ON FOLDED PARTS	THIS DRAWING IS SUBJECT TO COPYRIGHT IT MUST NOT BE REPRODUCED OR OTHERWISE MADE USE OF, WITHOUT THE WRITTEN PERMISSION OF ELECTRIX INTERNATIONAL LTD
	AUTH	CHECKED <b>MSE</b>	FINISH <b>BRIGHT FINISH</b>		