



ENGLISH

Datasheet

RS PRO M12 Female, Straight – RJ45 Adapter

RS Stock No:201-7169

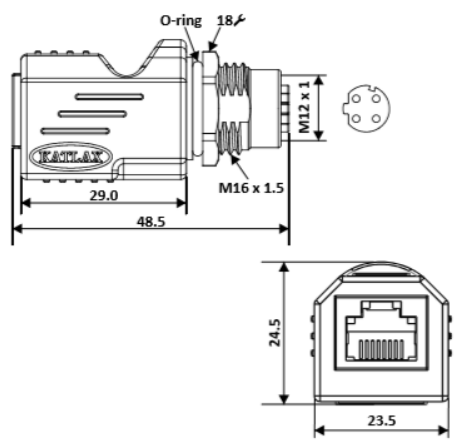
General Specification

Rated Operational Voltage	120 V AC
Current Rating	1.5 A
Insulation Resistance	≥100 MΩ
Temperature Range	0°C ... +70°C
Degree of Protection	M12 = IP67 / RJ45 = IP20
Coding	D-coded

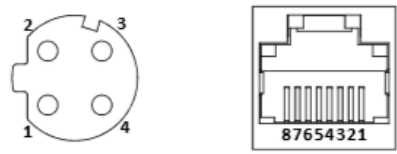


Material Specification

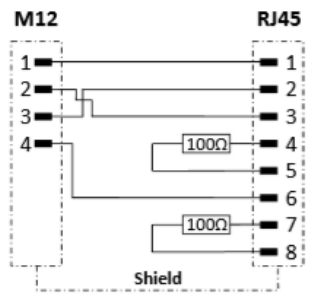
	M12	RJ45
Grip Material	PU	PBT
Contact	Cu-Zn	Copper Alloy
Contact Plating	Gold Flash	Gold Flash
Contact Carrier	Nylon 66	
O-Ring	Neoprene	
Grip Colour	Black	
Coupling Nut	Brass Nickel-Plated	



Pin Assignment



Wiring Diagram



Recommended Panel Cutout

