

Datasheet

RS PRO 250 TYPE NON-INSULATED FEMALE DISCONNECTORS (REEL TYPE)

Stock number: **2055303**

MAXIMUM ELECTRIC CURRENT:

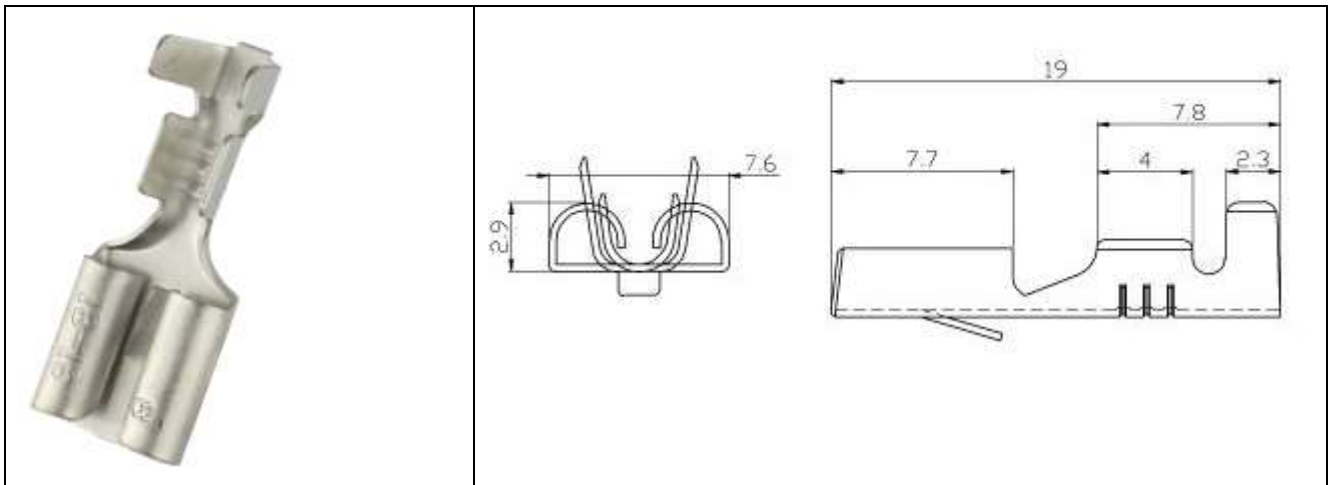
A.W.G. 18 16

AMP. 17 18

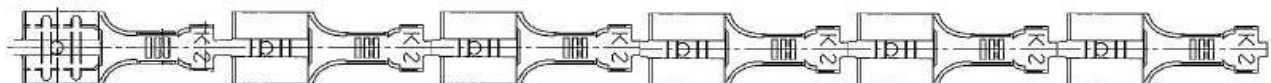
TERMINAL MATERIAL: BRASS

TERMINAL SURFACE TREATMENT: TIN PLATED

THICKNESS: 0.3MM



Reel pack:



WIRE RANGE A.W.G. mm ²	NEMA TAB (6.35 x 0.8)	DIMENSION (mm)					MATERIAL	PLATINGS
		W	F	L	H	T		
18-16 A.W.G. 0.85-1.25 mm ²	.250 x .032 (6.35 x 0.8)	7.6	7.7	19	2.9	0.3	Brass	Tin