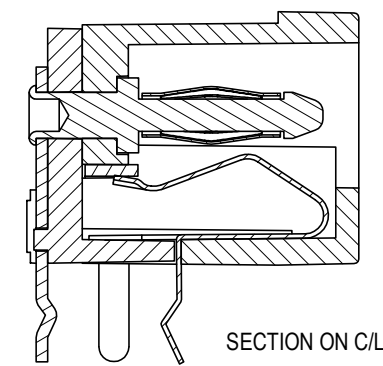
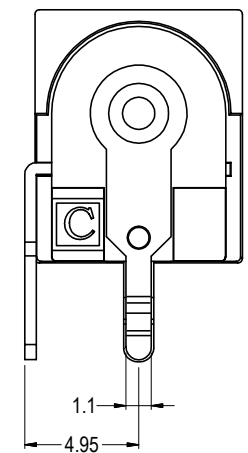
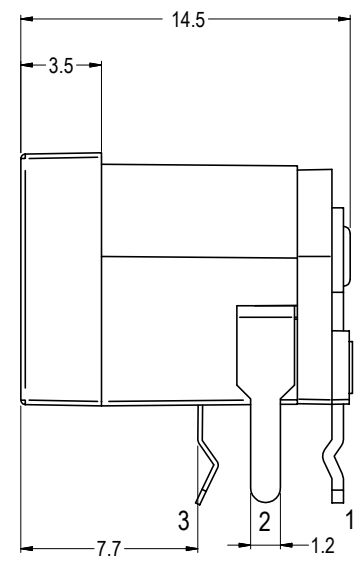
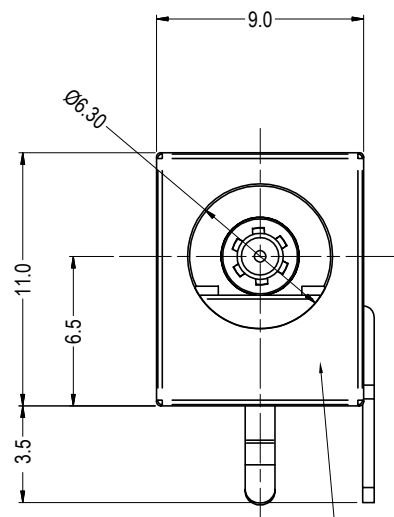
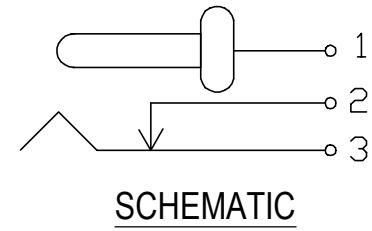
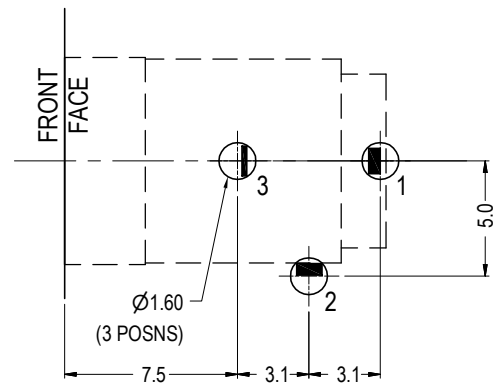


ISS.	AMEND	DATE
1	ISSUED	28/07/2011
2	NOTE 3 ADDED	06/10/2011
3	LAYOUT O/LINE ADDED	14/03/2012

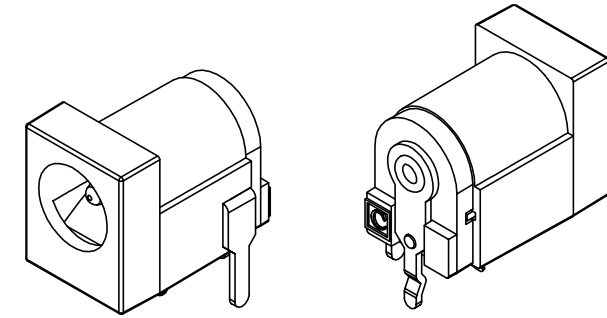
PC LAYOUT
(COMPONENT SIDE
- SOCKET OMITTED
FOR CLARITY)



ALTERNATIVE
LOGO POSITION (FCR)

NOTES:-

- SUITABLE FOR USE WITH Ø2.1mm OR Ø2.5mm DC PLUG.
- RATED: 5A / 12V DC.
LIFE: 5,000 INSERTIONS MINIMUM.
INSULATION RESISTANCE BETWEEN ANY OPEN CONTACT
>100MW @ 500V DC.
- HOUSING MATERIAL: PBT 30% GF TO UL94 V-0 (3.2mm)
(CHANG CHUN PLASTIC PBT4830)



RoHS
COMPLIANT

TOLERANCE

NO DEC. PLACE ±
1 DEC. PLACE ±
2 DEC. PLACE ±
HOLE Ø ±
ANGLES ±
UNLESS OTHERWISE STATED



DIMENSIONS IN MILLIMETERS UNLESS OTHERWISE STATED. WORK TO DIMENSIONS. REMOVE ALL BURRS. IF IN DOUBT ASK.		3rd ANGLE PROJECTION:	DO NOT SCALE
MATERIAL: PBT / BRASS / PhBrz / BeCu	TITLE: DC10LP SOCKET (PCB MOUNT)		
FINISH: AS MOULDED / SILVER PLATED TAGS	RS Stock No.: 805-1699		FORM: A4DRWGH
DRAWN: NJB	APPROVED: DPJ		