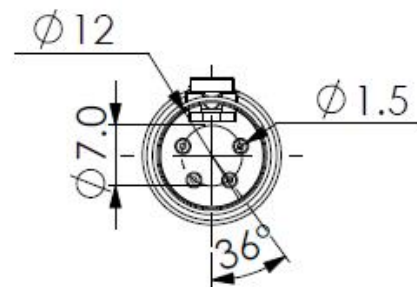
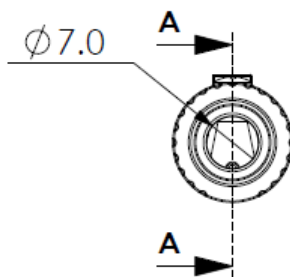
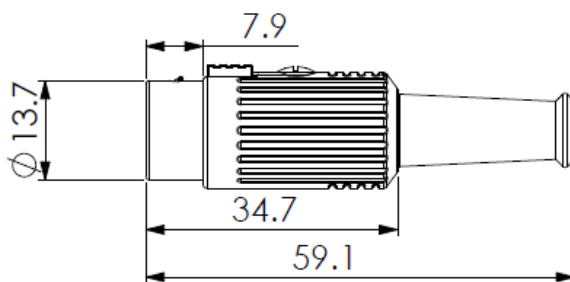


Datasheet

4 Pole Male Straight DIN Connector

RS Stock number [490-898](#)

Drawing (mm):



Specifications:

rating :

100V AC 4A MAX

contact resistance :

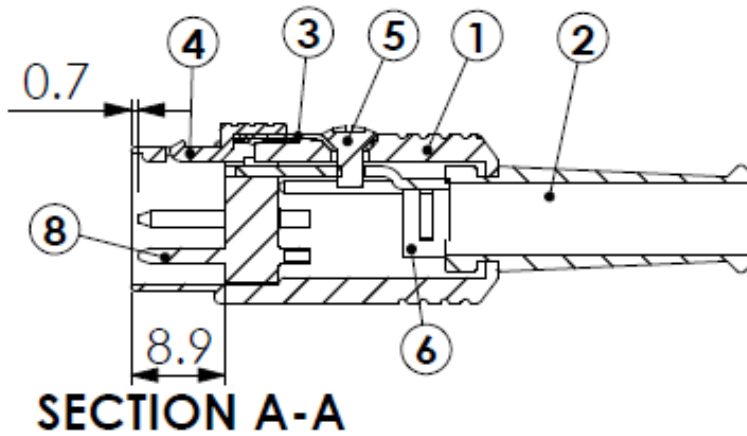
pins-30m Ω MAX; shell-50m Ω MAX

insulation resistance :

MIN 100 MEG Ω @500V DC

voltage withstand :

250V AC R.M.S. for 1 minute



No.	Description	Material	Treat	Quantity
1	Shield Cover	Zn Alloy	Chrome Ptd.	1
2	Strain Boot	PVC		1
3	Leaf Spring	Steel	Thermal Treatment	1
4	Hook Button	Zn Alloy	Nickel Ptd.	1
5	Setscrew	Steel	Nickel Ptd.	1
6	'T' Holder	Steel	Nickel Ptd.	1
7	Housing	ABS		1
8	Terminals	Brass	Silver Ptd.	3