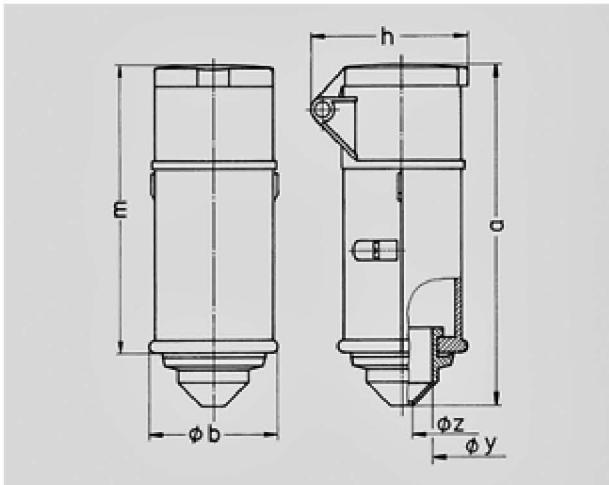
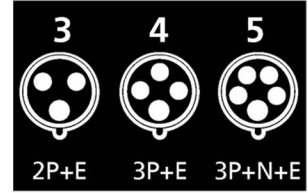


Connector - Part no. 688A



- screw terminals
- with grommet

Protection type IP 44
 Ampere 16A
 Poles 3p
 Voltage low voltage
 Hertz 50-60Hz
 Earth position 0h
 Contact standard
 Connection technology Screw terminals



Drawing	Amp.	16		32	
		2	3	2	3
3 MB 37	Poles				
Dim. in mm	a	144	144	144	144
	b	55	55	55	55
	h	67	67	67	67
	m	122	122	122	122
	y	25	25	25	25
	z	9	9	9	9
Terminal for cond.		4	4	4	4
section (mm ²) min.-max.		-10	-10	-10	-10

