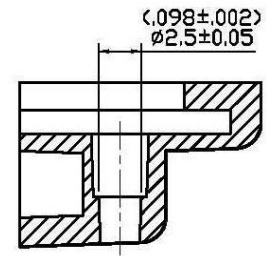
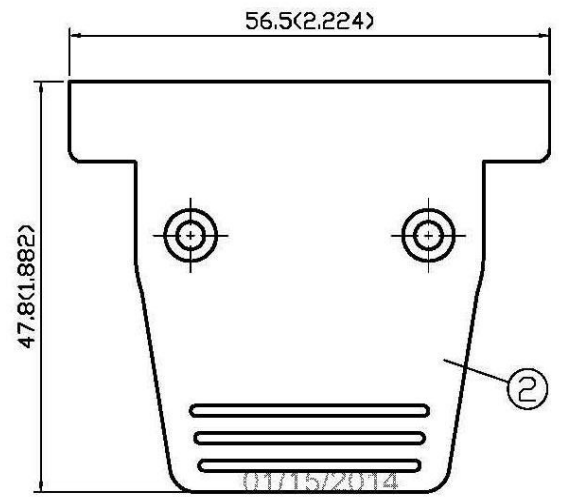
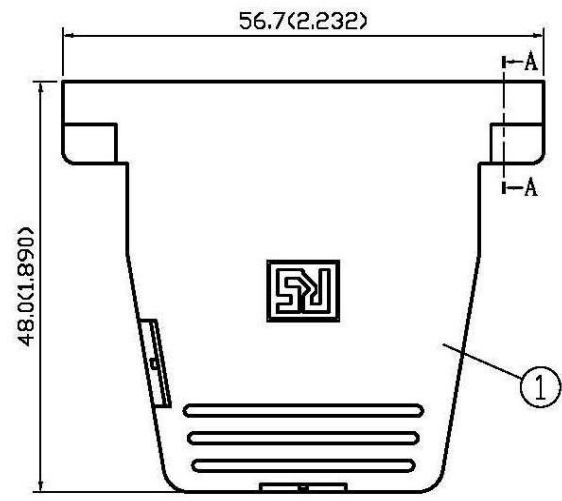
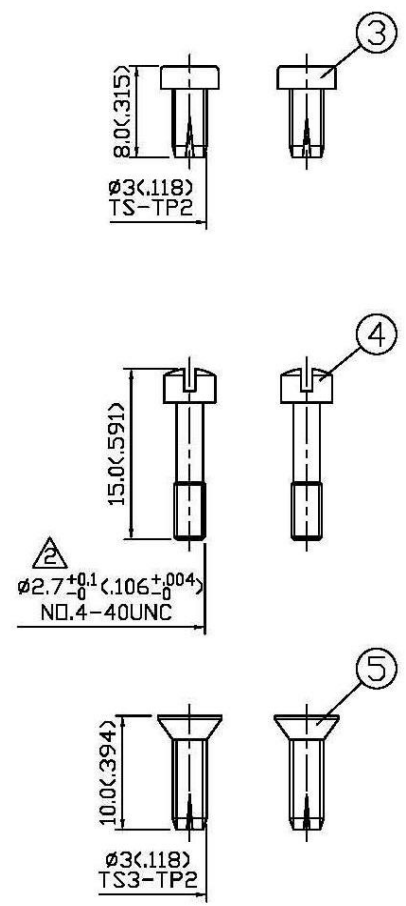
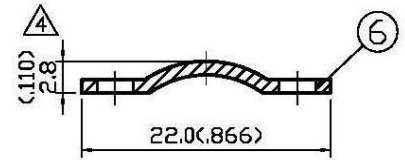


NO	DESCRIPTION	DATE
①	ADD MIS PART NO.	04.01.04'
②	ADD A-A SECTION ø2.7 → ø2.7 ^{+0.1} ₋₀	12.02.04'
③	ADD (P/N:544-4398)	04.14.10'
④	3.0 → 2.8	06.28.10'



△ A-A SECTION



△ MIS PART NO: 069-0025H-02 (P/N:544-4398) △

APPROVED by _____ DATE: _____

NO	DESCRIPTION	MATERIAL	Q'TY	FINISH
6	SPRING	IRON	1	ZINC
5	SCREW	IRON	2	ZINC
4	SCREW	IRON	2	ZINC
3	SCREW	IRON	2	ZINC
2	CAP	ABS	1	NICKEL
1	BODY	ABS	1	NICKEL



DESCRIPTION		25PIN D-HOOD-1	
製圖	DRAWN	TOLERANCE	品名
	Yoko	X ±0.2	25PIN D-HOOD-1
檢圖	CHECK	XX ±0.1	TITLE
	Angela	XXX ±0.05	\ROHS COMPLIANT
認定	APPROVAL	ANGLE	DATE
	Angela	±5°	10.30.96'
UNIT		DWG.NO.	REV.
mm(in)		55-0082	A-4
SCALE			
2:1			