

F E D C B A

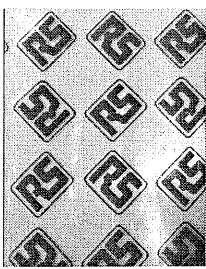
8 7 6 5 4 3 2 1



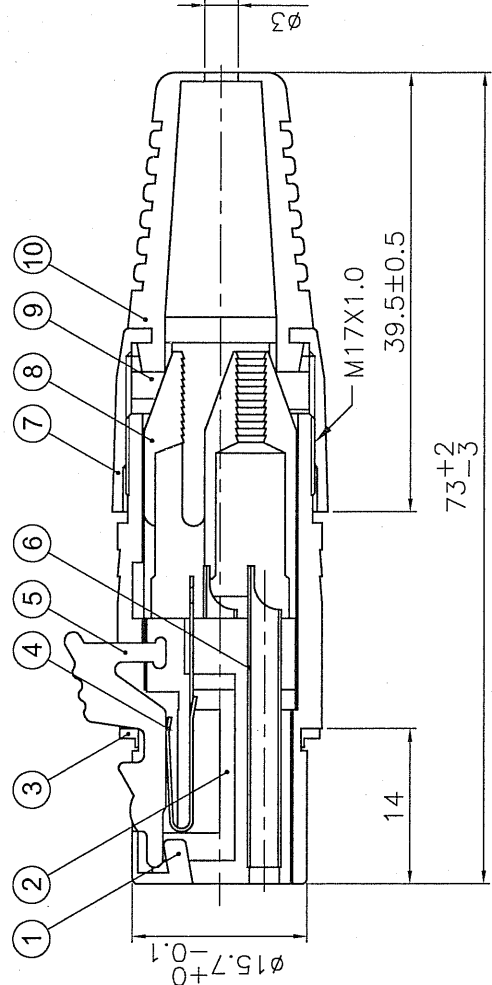
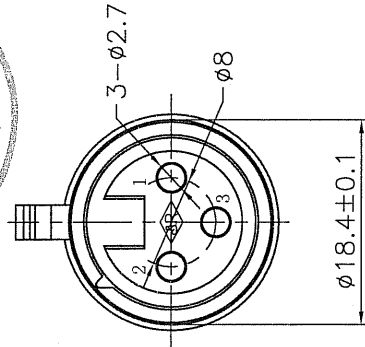
REVISIONS	
ISS	DESCRIPTION\PER REQUEST\DATE
A2	更新圖紙
V	對客戶公開圖紙
	對供應商公開圖紙
	僅限廠內使用

ELECTRICAL (電氣性能):	
CONTACT RESISTANCE (接觸電阻)	3 mohms max.
INSULATOR RESISTANCE (絕緣電阻)	5000 mohms min.
CURRENT RATING(耐電流)	3P/15A
VOLTAGE PROOF(耐電壓)	125 VAC

NOTE(備註):
 1. Packing with "RS" logo as below picture (附有"RS"標誌之包裝如下圖)

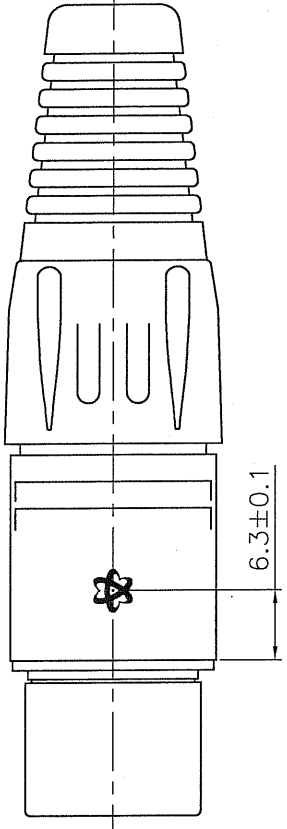


客戶 logo 改版中, 將旧版的袋子使用完, 等客戶新 logo 圖紙再作改版。



客戶品号	品名	品号
4580240001	SVP556S-1-RS(PIN SILVER 3um)	5112010190
4580020001	SVP556S-RS	5112010091

10	尾套 (BOOT)	PVC	黑色 (BLACK)	1	3510400207
9	T型圈 (T-RING)	PP	白色 (WHITE)	1	3510400142
8	夾線爪 (CHUCK)	PA	白色 (WHITE)	1	3510400128
7	螺套 (CAP)	PA	黑色 (BLACK)	1	3510400206
6	插孔 (FEMALE PIN)	PHOSPHOR BRONZE	鍍銀 (SILVER)	3	
5	按鍵 (PUSH BUTTON)	ZnAl4-0	鍍鎳 (NICKEL)	1	3510200166
4	鋼片 (LATCH)	STAINLESS STEEL	鍍錫 (TIN)	1	2520400004
3	密封圈 (SEAL)	RUBBER	黑色 (BLACK)	1	2510400187
2	塑粒 (INSULATOR)	PA	黑色 (BLACK)	1	3510400208
1	鍍殼 (DIE-CAST SHELL)	ZnAl4-0	鍍鎳 (NICKEL)	1	3510200054
NO.	DESCRIPTION	MATERIAL	FINISH	Q'TY	DRAWING NO.



DIMENSIONS ARE IN MILLIMETERS	
UNLESS OTHERWISE SPECIFIED	
TOLERANCES	ANGLES = ±5°
UP TO 6	= ±0.2
6-40	= ±0.4
40-120	= ±0.6
120-315	= ±1
ABOVE 315	= ±1.6
THIRD-ANGLE	
SCALE	1.5/1

APPROVED	程子	DATE	2012.9.10
CHECKED	程子	DATE	2012.9.10
DRAWN	王勇	DATE	2012-09-07
FILE NO.	D:\CAD\SVP512010190 / 5112010091_ SVP556S-1-RS / SVP556S-RS_CAD01A2		
ERP LINK:	5112010190 / 5112010091		

		寧波日鼎電子科技有限公司 NINGBO SUN RISE ELECTRIC TECHNOLOGY CO., LTD.	
TITLE		3P MIC CONNECTOR, FEMALE	
PART NO.		SVP556S-1-RS / SVP556S-RS	
REV.		A2	

F E D C B A

8 7 6 5 4 3 2 1