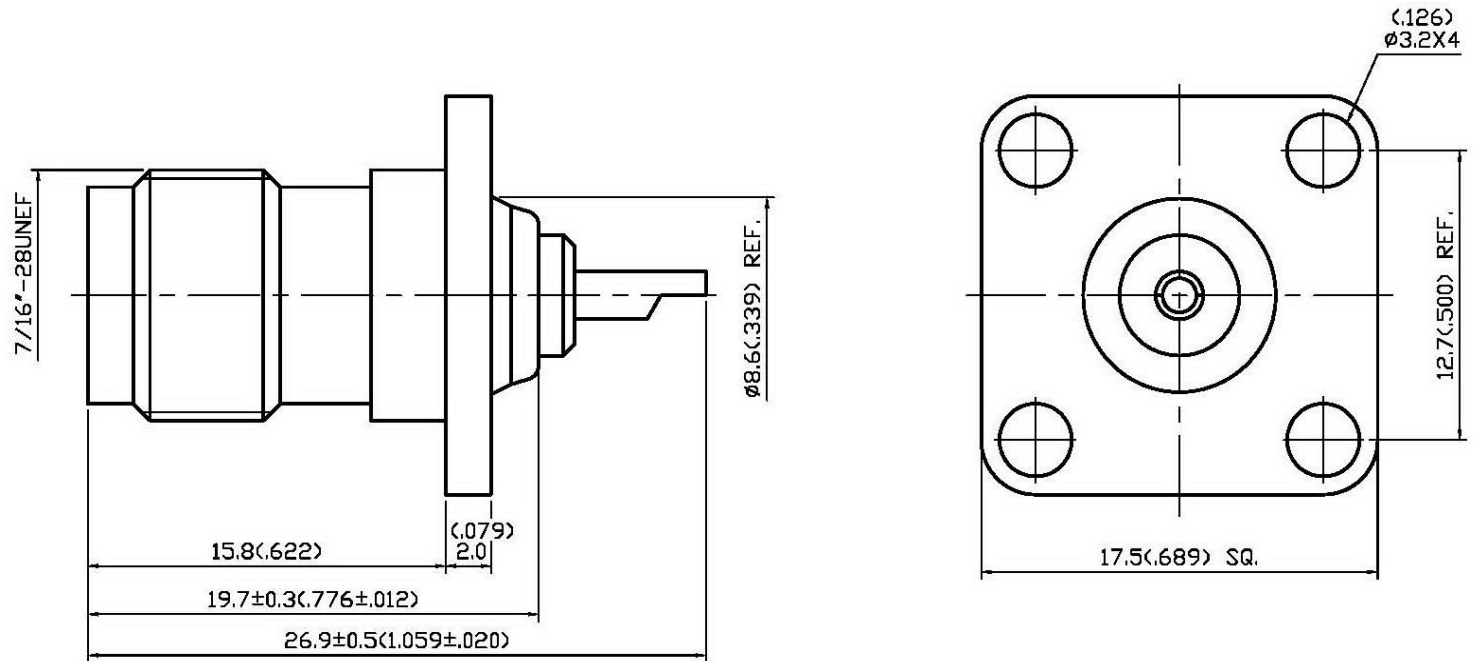


NO	DESCRIPTION	DATE
①	BACKGROUND FORMAT UPDATED	04.23.03
②	BACKGROUND FORMAT UPDATED	10.14.08'
③	DEL INTERFACE	02.20.12'
④	WORKING VOLTAGE → VOLTAGE RATING DEL PROOF VOLTAGE ADD VSWR	05.21.14'



#### 1.0 ELECTRICAL

- 1.1 FREQUENCY RANGE: DC-11 GHz
- 1.2 NOMINAL IMPEDANCE: 50 OHMS
- 1.3 VOLTAGE RATING: 500 VOLTS MAX. ④
- 1.4 VSWR: 1.3 MAX. @3 GHz ④

#### 2.0 MATERIALS

- 2.1 BODIES: BRASS PER JIS-C3804
- 2.2 CENTER CONTACT: BRASS PER JIS-C3804
- 2.3 INSULATION: TEFLON PER ASTM D1457 AND ASTM D1710
- 2.4 SQUARE FLANGE: BRASS PER JIS-C2680

#### 3.0 FINISHES AND OTHERS

- 3.1 SEE BELOW TABLE FOR DETAILS.

#### 4.0 ENVIRONMENTAL

- 4.1 OPERATING TEMPERATURE RANGE: -85° C TO +165° C

NO	DESCRIPTION	MATERIAL	Q'TY	FINISH
5	SQUARE FLANGE	BRASS	1	NICKEL 100μ" MIN.
4	INSULATION	TEFLON	1	NONE
3	INSULATION	TEFLON	1	NONE
2	CENTER CONTACT	BRASS	1	GOLD
1	BODY	BRASS	1	NICKEL 100μ" MIN.



APPROVED by \_\_\_\_\_ DATE: \_\_\_\_\_

DESCRIPTION		TNC STRAIGHT SQUARE FLANGE JACK RECEPTACLE							
製圖	DRAWN	TOLERANCE	品名	15-30	T.G.N	日期	DATE	版次	REV.
	Yoko			∠ROHS COMPLIANT (50Ω)			09.17.92'		A-4
檢圖	CHECK	單位	UNIT	DWG.NO.	15-0117	比例	SCALE		
	Arc							mm(in)	
認定	APPROVAL	ANGLE	±5°						
	Angela								