

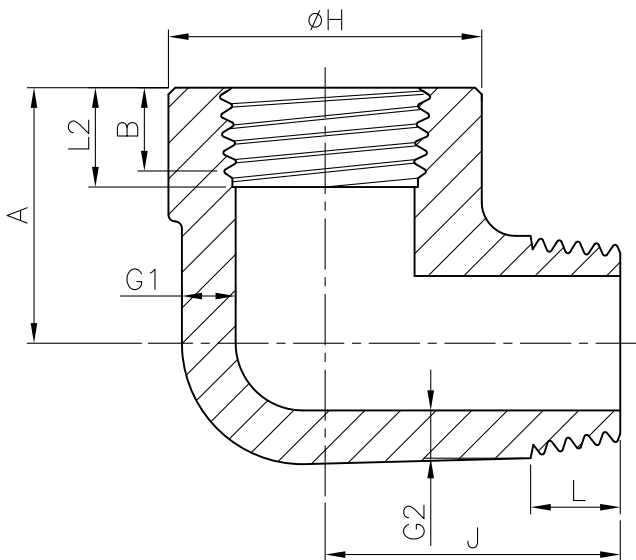
Product Datasheet

# High Pressure Fitting



## Street Elbow

ASME B16.11



3000 LB																		
RS Code	Size		H		A		J		G1 (Min)		G2 (Min)		Length of Threaded (Min)				L (Min)	
	DN	NPS	mm	in	mm	in	mm	in	mm	in	mm	in	B		L2		mm	in
													mm	in	mm	in		
826-6949	8	1/4"	25	0.98	22	0.87	32	1.26	3.3	0.13	3.22	0.13	8.1	0.32	10.2	0.4	11	0.43
826-6942	10	3/8"	32	1.26	25	0.98	38	1.5	3.51	0.14	3.5	0.14	9.1	0.36	10.4	0.41	13	0.51
826-6946	15	1/2"	38	1.5	28	1.1	41	1.61	4.09	0.16	4.16	0.16	10.9	0.43	13.6	0.54	14	0.55
826-6955	20	3/4"	44	1.73	35	1.38	48	1.89	4.32	0.17	4.88	0.19	12.7	0.5	13.9	0.55	16	0.63
826-6958	25	1"	51	2.01	44	1.73	57	2.24	4.98	0.2	5.56	0.22	14.7	0.58	17.3	0.68	19	0.75
826-6952	32	1-1/4"	62	2.44	51	2.01	66	2.6	5.28	0.21	5.56	0.22	17	0.67	18	0.71	21	0.83
826-6961	40	1-1/2"	70	2.76	54	2.13	71	2.8	5.56	0.22	6.25	0.25	17.8	0.7	18.4	0.72	21	0.83
826-6964	50	2"	84	3.31	64	2.52	84	3.31	7.14	0.28	7.64	0.3	19	0.75	19	0.75	22	0.87