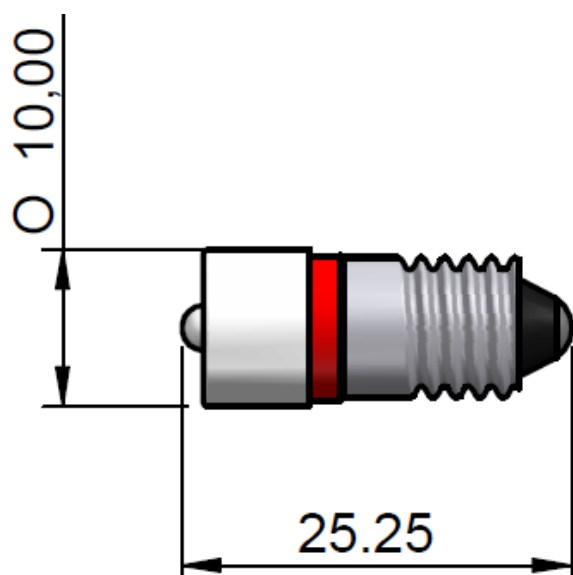


## Datasheet

### Red E10 LED Indicator Lamp

RS Stock number 205-145

#### Dimensions (mm):



#### Specifications:

LED/Multiled	<i>LED</i>	Optimum voltage (V)	<i>6Vac/dc</i>	Intensity	<i>175mcd</i>
Mounting Size	<i>10x25mm</i>	Rectifier	<i>Half Wave</i>		
Mounting Finish		AC current	<i>9mA (max)</i>		
Protection	-	DC current	<i>17mA (max)</i>		
Mount Holder	<i>E10</i>	Voltage Tolerance (%)	<i>10%</i>		
Chip Qty	<i>1</i>	Optimum temperature (°C)	<i>-30°C...+60°C</i>		
Indicator colour	<i>Red</i>	Storage temperature (°C)	<i>-30°C...+60°C</i>		
Wavelength (nm)	<i>630</i>	Contact Tab	<i>E10 Cap</i>		