

Datasheet

RS PRO VINYL-INSULATED RING TERMINALS

Stock number: 178-8659

MAXIMUM ELECTRIC CURRENT:

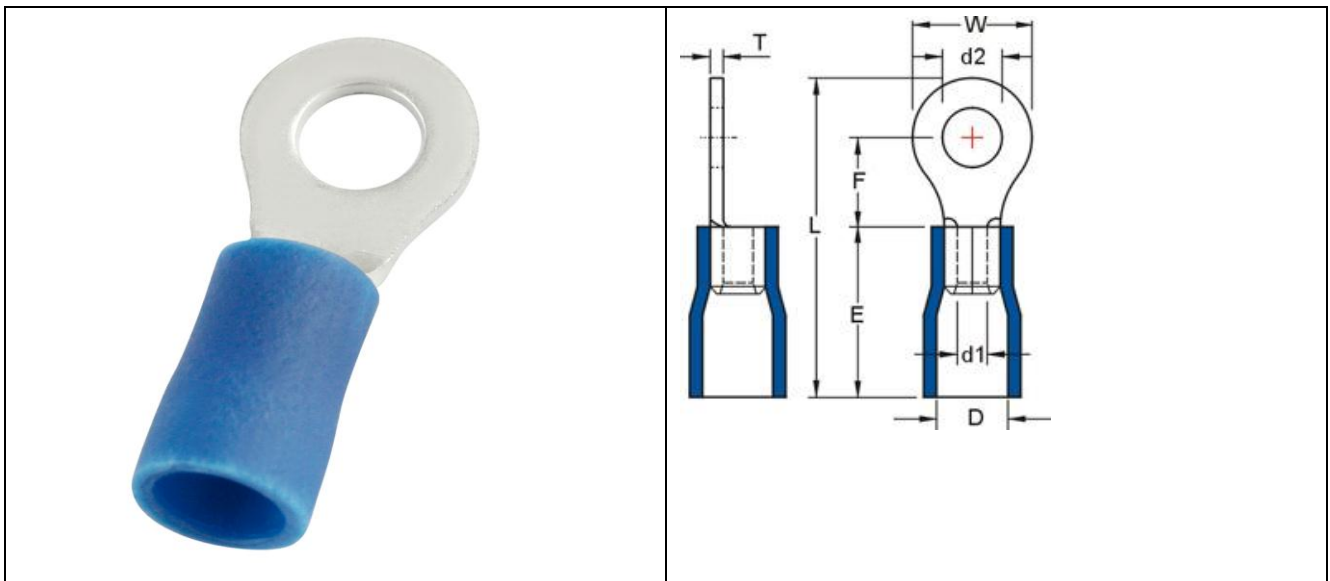
A.W.G.	16	14
AMP.	18	30

MAXIMUM ELECTRICAL RATING: 105° C 600 VOLTS MAX.

INSULATION MATERIAL: VINYL (PVC)

TERMINAL MATERIAL: COPPER

INSULATION COLOR: BLUE



WIRE RANGE A.W.G. mm ²	ITEM NO. BUTTED SEAM	STUD SIZE d2	DIMENSION inch(mm)							
			W	F	L	E	D	d1	T	
16-14 A.W.G.	178-8659	#8	0.169	0.335	0.307	0.858	0.394	0.177	0.091	0.031
1.5-2.5 mm ²			4.3	8.5	7.8	21.8	10	4.500	2.3	0.8