



ENGLISH

## Datasheet

# 5P 240 DIN Socket Chassis Mount

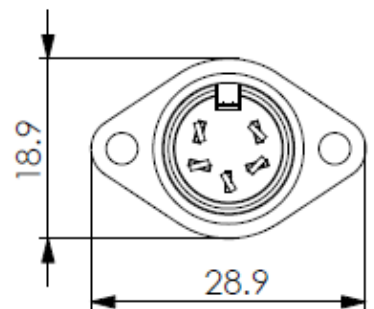
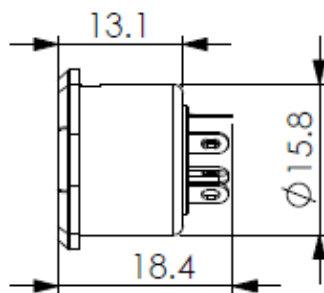
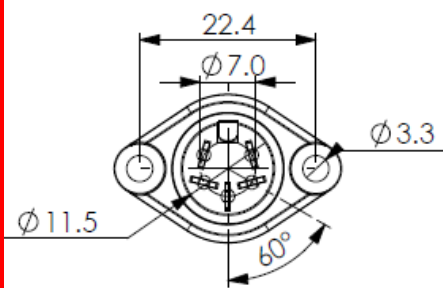
RS Stock number 491-100

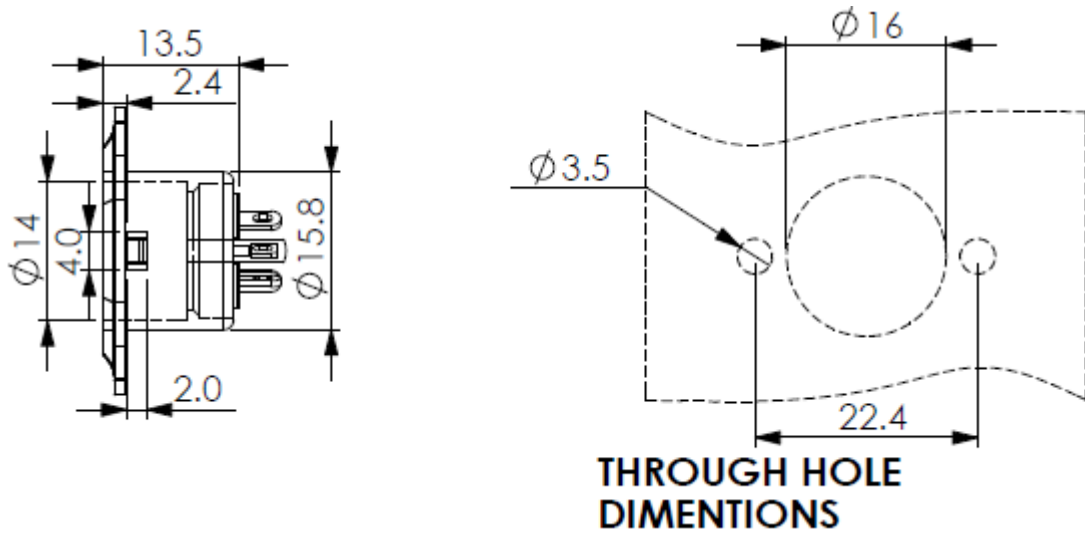


### Specifications:

Rating:	100V AC 4A max.
Contact Resistance:	pins-30mΩ max; shell-50m Ω max.
Insulation Resistance:	100MΩ min. at 500V DC
Dielectric Strength:	250V AC R.M.S. for 1 minute

### Dimensions(mm)





No.	Description	Material	Treat
1	Shield Cover	Zn Alloy	Nickel Ptd.
2	Negative Contact	Copper	Nickel Ptd.
3	Terminals	Brass	Silver Ptd.
4	Housing	ABS	