

FEATURES

- Rated currents up to 10A
- 2-pole rocker switch
- Single or dual-fuse holder
- Compact design with optimal shielding

RS PRO 6A 250 V ac, Chassis Mount RFI Filter - 2 Phase

RS Stock No.: 237-8668,237-8669



RS Professionally Approved Products bring to you professional quality parts across all product categories. Our product range has been tested by engineers and provides a comparable quality to the leading brands without paying a premium price.

Product Description

- **Portable electrical and electronic equipment**
- **Single-phase power supply , switch-mode power supply**
- **Medical equipment**
- **Small and medium-sized machines and household equipment etc**

General Specifications

Available with fuse holder for two (5*20mm) fuses
 (R5) types comply with the requirements of IEC/EN60601-1 for safety clearance, leakagecurrent and hipot testing. There are a variety of parts and combinations to meet different customer's EMC tests. Customized products according to customer's requirements

Mechanical Specifications

size	61X29.5X62mm (L X W X H)
weight	0.106kgs

Electrical Specifications

Rated Voltage Max.	115/250VAC
Operating frequency	50/60Hz
Rated currents	6A
Hipot Rating	L-N 500VDC, L/N-G 2250VDC

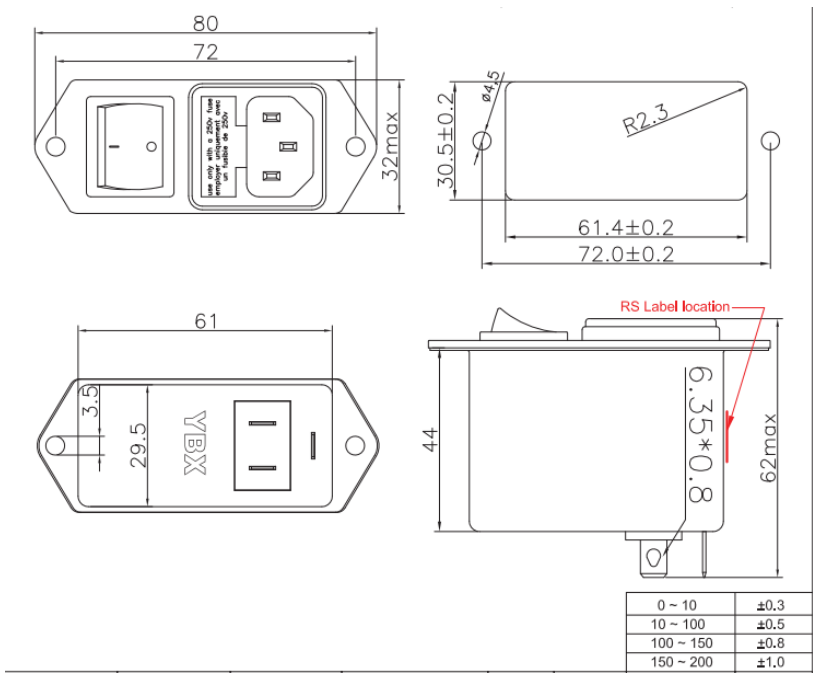
Protection Category

according to IEC 60529 IP40

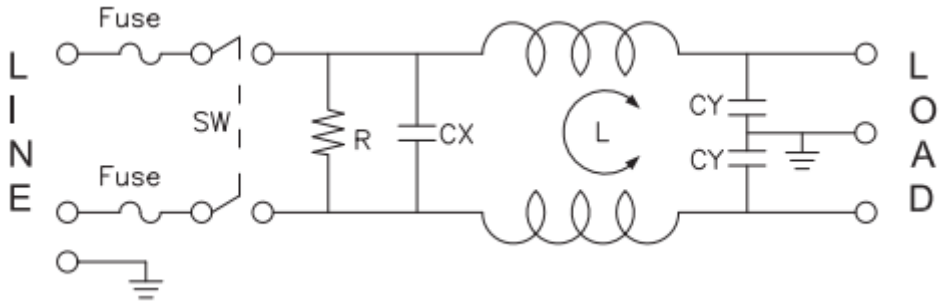
Approvals

Declarations	CUL;TUV;CE;CQC;
Standards Met	UL1283, CSA C22.2 No.8; IEC/EN 60939; CQC GB 15288/GB 15287-2008

Physical Dimensions:

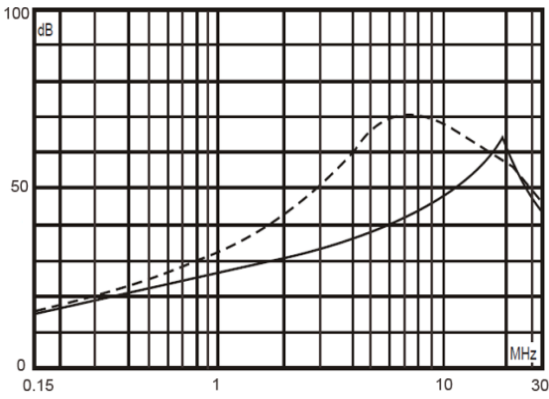


Electrical Schematic:



Insertion loss table(In 50ohm system according IEC/CISPR No.17)

———— Common mode - - - - - Differential mode
6A



Packaging

