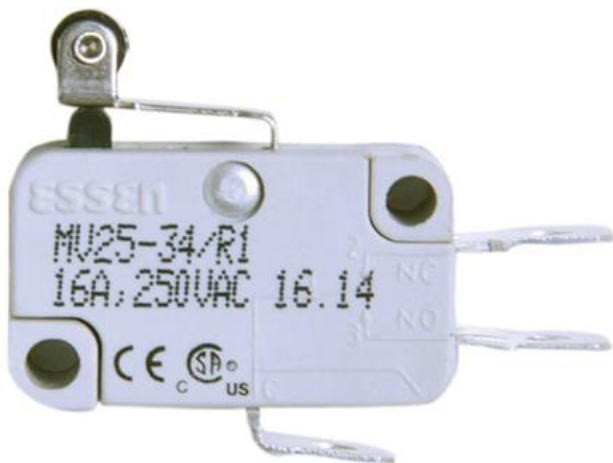


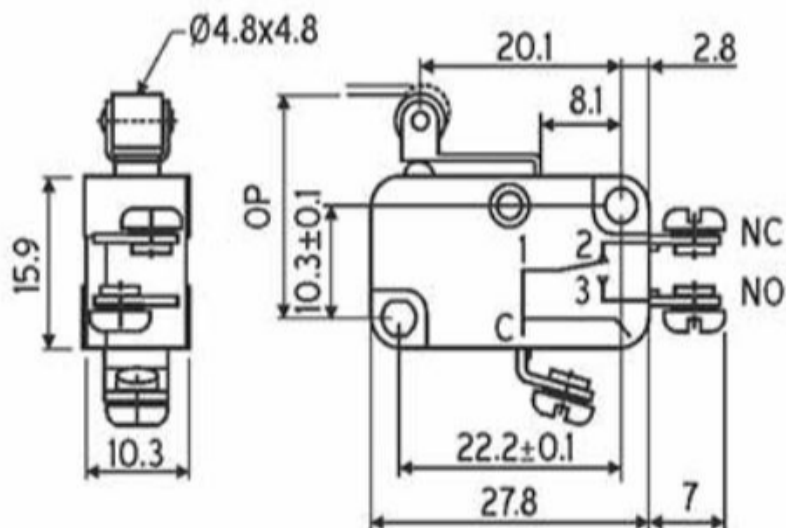
Datasheet

SPDT Short Roller Lever Microswitch, 0.1 A@ 110 V dc, 0.6 A@ 110 V dc, 16 A@ 250 V ac

RS Stock number 804-6228



Dimensions: (mm)





ENGLISH

Characteristics

Pre – travel	1.6 mm (max)
Over – travel	0.8 mm
Movement differential	0.6 mm (max)
Operation Position	20.7 ± 0.6mm

Technical Data

Contact resistance	15 milliohms (max)
Insulation resistance	100 megaohms (min) at 500VDC
Voltage proof	1500 VAC between each terminal and 1000 VAC between open contacts
Electrical life	100,000 operations
Mechanical life	10,000,000
Temperature	-55°C to +85°C

Electrical Rating

Load	Rating
AC	16Amp at 250V 5Amp at 440V
DC	0.6Amp at 110V 0.03 A at 220V
DC	0.1 Amp at 110V 0.05 Amp at 220V