

## FEATURES

- IP67
- Flush-type socket
- Rear/ screw mounting with M16 thread

# RS PRO M12 FEMALE REAR PANEL MOUNT 4 PIN 16X1.5 mm THREAD WITH 2 m SHIELDED 4 CORE PUR CABLE

RS Stock No.: 2121724



RS Professionally Approved Products bring to you professional quality parts across all product categories. Our product range has been tested by engineers and provides a comparable quality to the leading brands without paying a premium price.

## Product Description

### ATTRIBUTE 1

## Flush Type M12 Connectors, M16 Thread Types, Free End PUR Cable

M12 flush mount connectors with 2M of PUR cable, These 4 way panel mount connectors are A-coded with a free end of PUR cable measuring 2 metre in length, with 4 x 0.25mm<sup>2</sup> wires to terminate to your particular application, IP67 rated once mated and with a PG9 fastening thread

## Features & Benefits

Contact Plating: Gold plated Supplied with a neoprene O-Ring  
 Number of poles: 4  
 Both Female and Male versions available

## General Specifications

Rated Operational Voltage	250 V
Current Rating	4A
Insulation Resistance	>= 100 MΩ
Temperature Range	-25°C ... +75°C
Mounting	Rear (M16 x 1.5)
Coding	A-Coded

## Material Specifications

Housing Material	Brass Ni Plated
Contact	Cu-Zn
Contact Plating	Gold Flash
Contact Carrier	Nylon 66
O-Ring	Neoprene
Pole	4
Clamp Nut	M16 x 1.5

## Cable Specifications

Cable Length-L	2m
Cable Type	4 Core Shielded PUR Cable

# RS PRO M12 PANEL MOUNT MOULDED CONNECTOR

Cross Section of Wire	0.25 sq.mm
Termination	Partially Stripped
Core Dia	1.3 mm
Cable Dia	4.8 ± 0.1 mm
Termination	Partially Stripped

## Protection Category

Degree of Protection	IP67
----------------------	------

## Additional Information

Custom Tariff Number	85369090
----------------------	----------

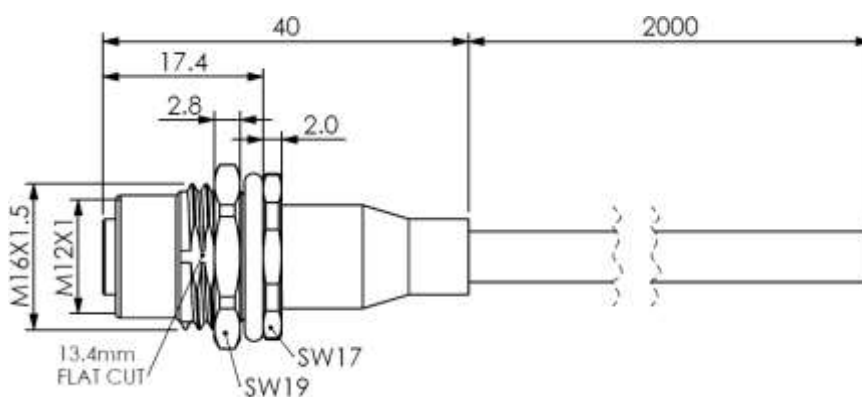
## Approvals

Standards Met	
---------------	--

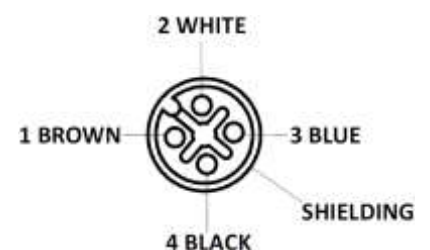
## Similar Products

Stock No.	Brand	Product Name	Attribute 1	Attribute 2
XXX-XXXX	RS PRO	M12 Bulk Head connector 4 Pin Shielded cable	Industrial Automation Cable Assemblies	Actuator/Sensor Cable

## Connection Diagrams / Assembly Diagrams / Illustrations / Accessories



Dimensions are in mm.



## Panel Cutout

