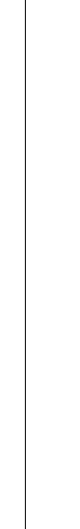
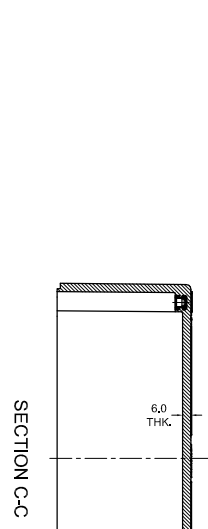
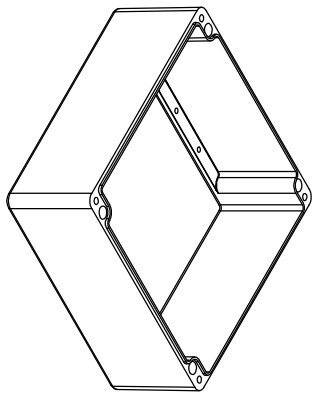
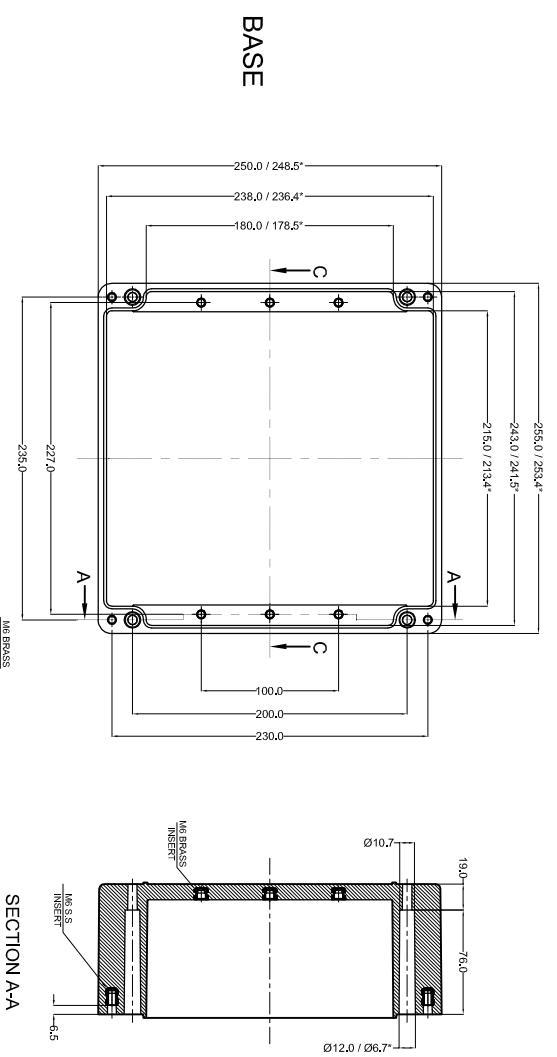
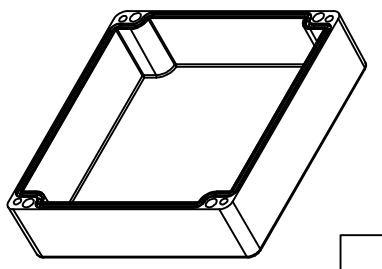
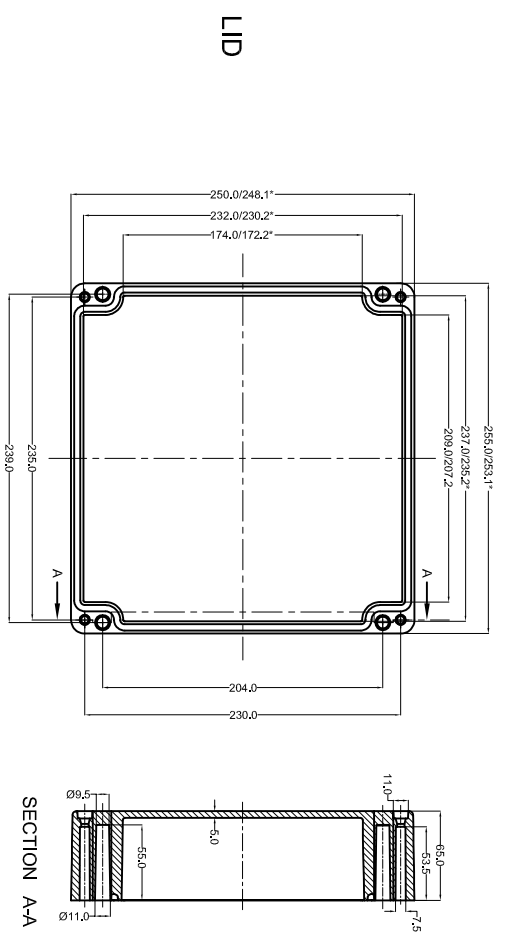




\* = Conical form tapering downward.  
 Untoleranced dimensions per DIN 16901-140

OPTIONAL ACCESSORIES		
PART NAME	QTY	AVAILABILITY
MOUNTING PLATE	1	Y
EXTERNAL HINGE	1	Y
INTERNAL HINGE	-	N
MOUNTING BRACKETS	4	Y
NEOPRENE/SILICON GASKET	1	Y
DIN RAIL TS15	-	N
DIN RAIL TS35	1	Y



Sr.No.	Drawing no.	RM Grade	Finish
2			BLACK RAL9011
1			GREY RAL7000

NO.	REV.NO.	DESCRIPTION	DATE	DRAWN	CHECKED

QUANTITY	MATERIAL :-	MACH.NAME	DATE	SIGN	NAME
	GRP		09/01/14		ERP1L DESIGN
			09/01/14		MANOJ DRAWN
					PAYAN CHECKED
					M.S. APPROVED

TOLERANCE	WEIGHT	FINISH	SCALE	PARTNO.	DRG. NO.
±0.5			1:1		
±0.2 HOLES	ALL DIMENSIONS ARE IN MM				
±1.0° ANGLES	GRP 17				

TITLE :-	GRP JUNCTION BOX
	255 x 250 x 160