



Datasheet

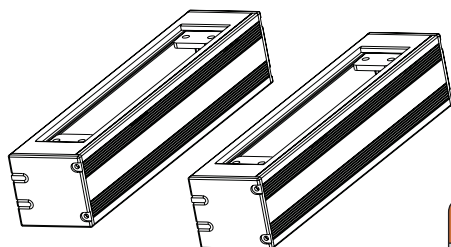
ENGLISH

Shearlock SL500

RS Product Code 870-0723

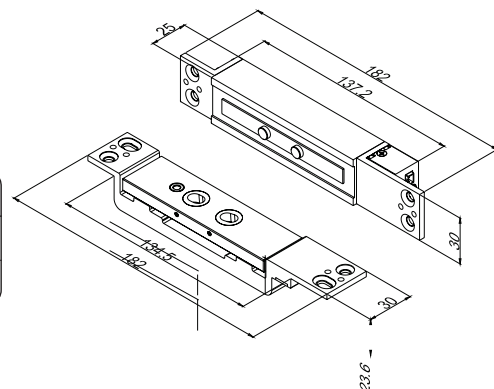
- 12~24vdc Auto adjusting
- 2500lbs (1200kg) holding force
- All in one design
- Vertical or horizontal install
- Monitored

Power Supply	DC 12V ~ DC24V $\pm 15\%$
Operation Current	900mA
Holding Current	220mA@12VDC mA $\pm 5\%$ 190mA@24VDC mA $\pm 5\%$
Application	All types of 90°~180° door
Maximum Shear Force	2600lbs (1200kg)
Magnetic Distance(Max.)	3mm @12V / 5mm @24V
Operation Delay Time	0.5~25 Sec. Available to set
Lock Status Sensor	N.C. & N.O. Output (1A@30VDC)
Relock Function	Maximum 60 times
Demagnetizer Design	Instant demagnetizer when power is off.
Indicator	Double-colored LED light
Weight	1200g(included wrapping)



- BR500 Surface housing

DIMENSIONS	LENGTH	WIDTH	DEPTH
LOCK	182	30	25
ARMATURE	182	30	24



All dimensions in mm