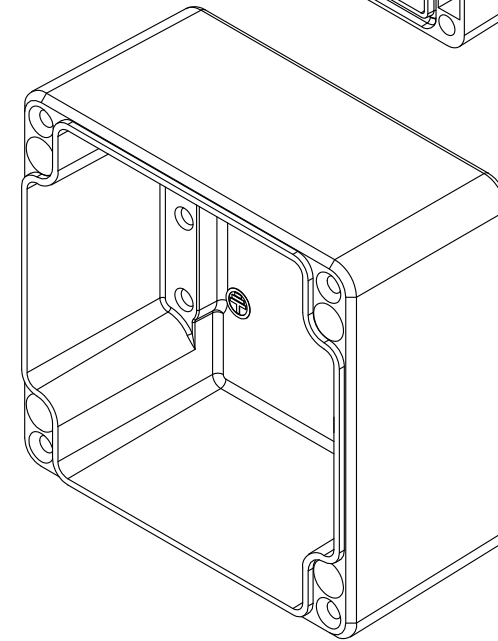
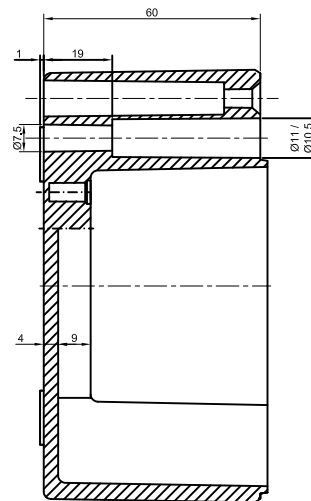
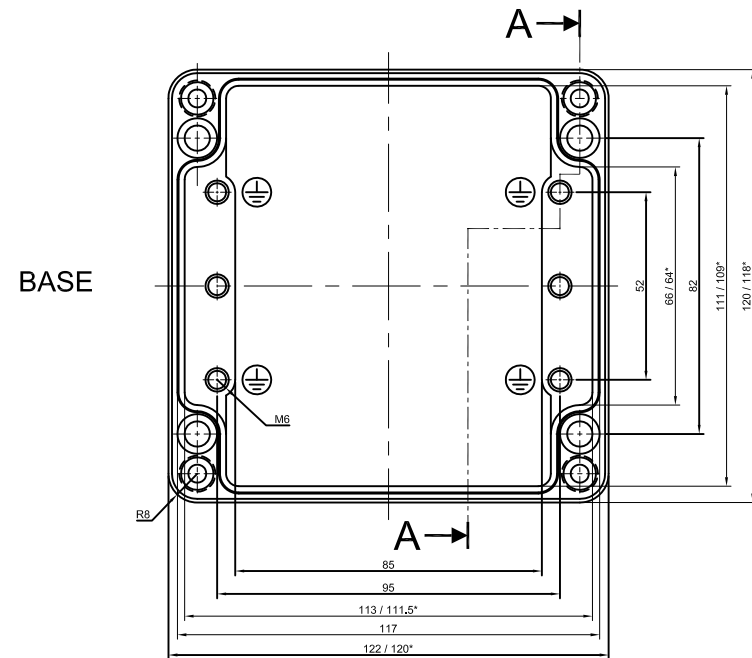
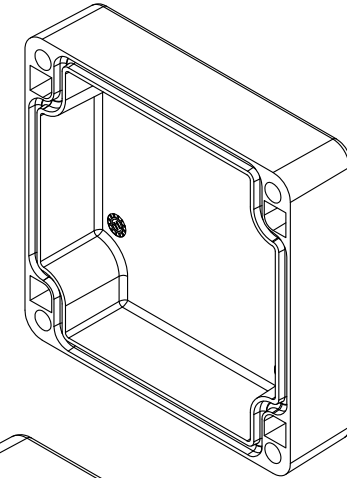
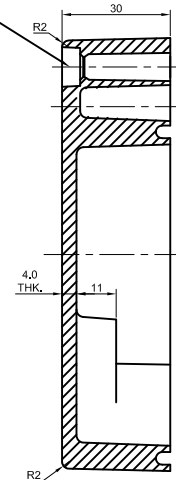
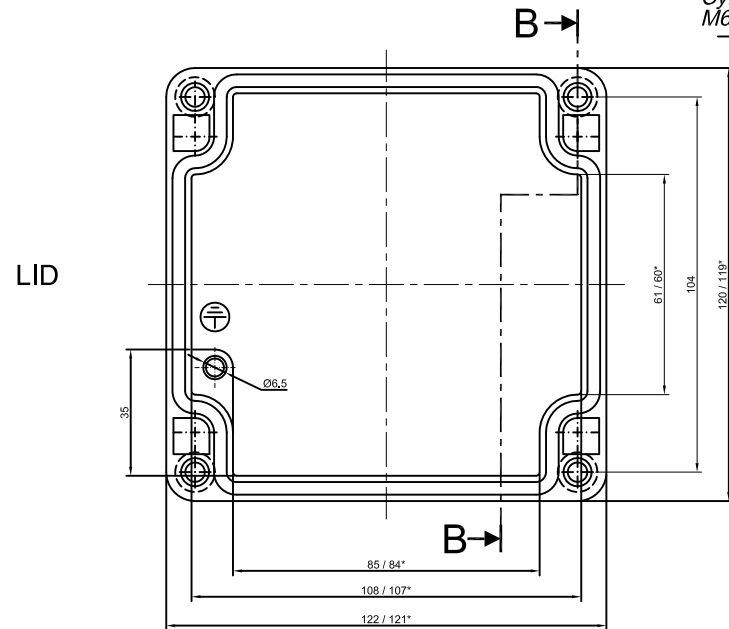


* = Conical form tapering downward.
 Untoleranced dimensions per GTA 13/5 DIN 1688

Cylinder Screw
 M6 x 35/10 similar to DIN 84



QUANTITY 1	MATERIAL :- Alsi 12 DIN230	MACH.NAME -	DATE	SIGN	NAME	
			30/04/12		MANOJ	DESIGN
TOLERANCE ±0.2 ±0.2 ±1.0°	WEIGHT: - FINISH: NATURAL	TITLE :- JUNCTION BOX 122 x 120 x 91	DATE	SIGN	NAME	
			30/04/12		PAVAN	CHECKED
			SCALE			
			S.D.		APPROVED	