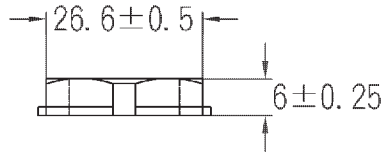


AG-20

RS NO.:6694673 / 6694664 / 6694660

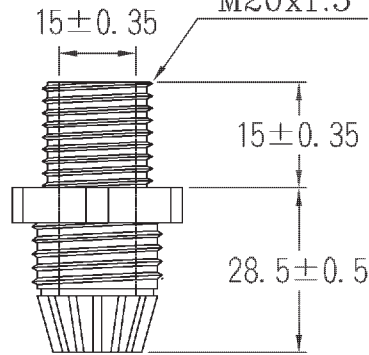
螺帽
LOCK NUT



墊片
WASHER

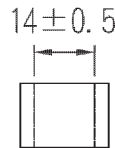
External thread
M20x1.5

本體
BODY

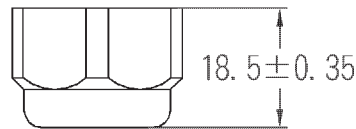


夾緊爪
CLAW

夾緊圈
SEALS



迫緊頭
NUT



| | | | |
|-----------------|------------------------|-----------------------------------|---------------------------|
| 中文名 外迫式電纜固定頭 | | MATERIAL: UL 94V-2 NYLON 66 | ITEM NO. AG-20 |
| SCALE | | FINISH | NAME NYLON CABLE GLAND |
| △ (. .) | TOLERANCE AS FIGURE | △ (. . .) 05-13-2009 DATE | REVISIONS K002 |
| | | | R.NO. |