



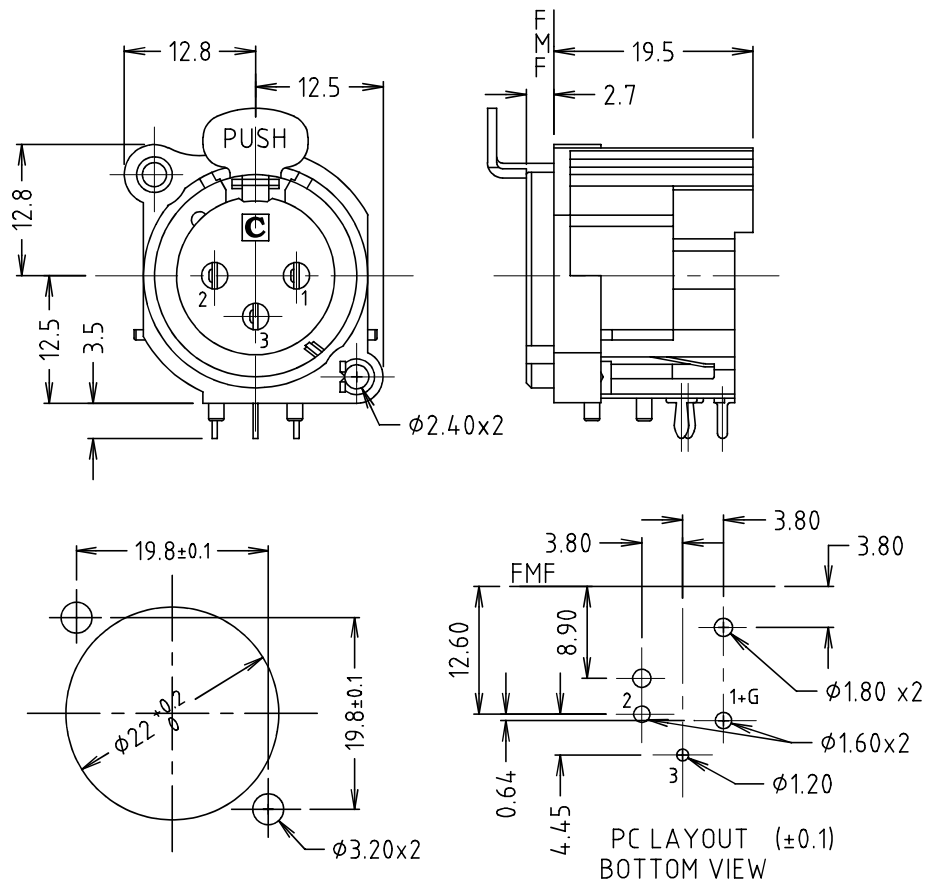
Datasheet
Stock No. 1880118
RS PRO 3 PIN FEMALE XLR



ENGLISH



1880118 - 5 PIN FEMALE XLR, WITH PUSH LATCH, 90° PC MOUNTING. GOLD PLATED



Electrical Specifications

Rated Current: 3 pin 5A maximum.

Rated Voltage: 250 Vac maximum.

Operating Temperature: -30° C to + 80° C.

Contact Resistance, (new): < 10mΩ.

Contact Resistance, (after 1000 insertions): 15mΩ maximum.

Dielectric Withstand: 1600 Vac between all contacts.

Insulation Resistance: > 109Ω @ 500 Vdc.

Capacity between contacts: < 5pF.

Mechanical Specifications

Insertion Life (minimum): > 1000 insertions and removals.

Insertion Force: < 10N.

Materials

Housing: Polyamide.

Contacts: Brass, phosphor-bronze.

Plating: 5μm. Gold over 5μm of nickel.