

## Shape

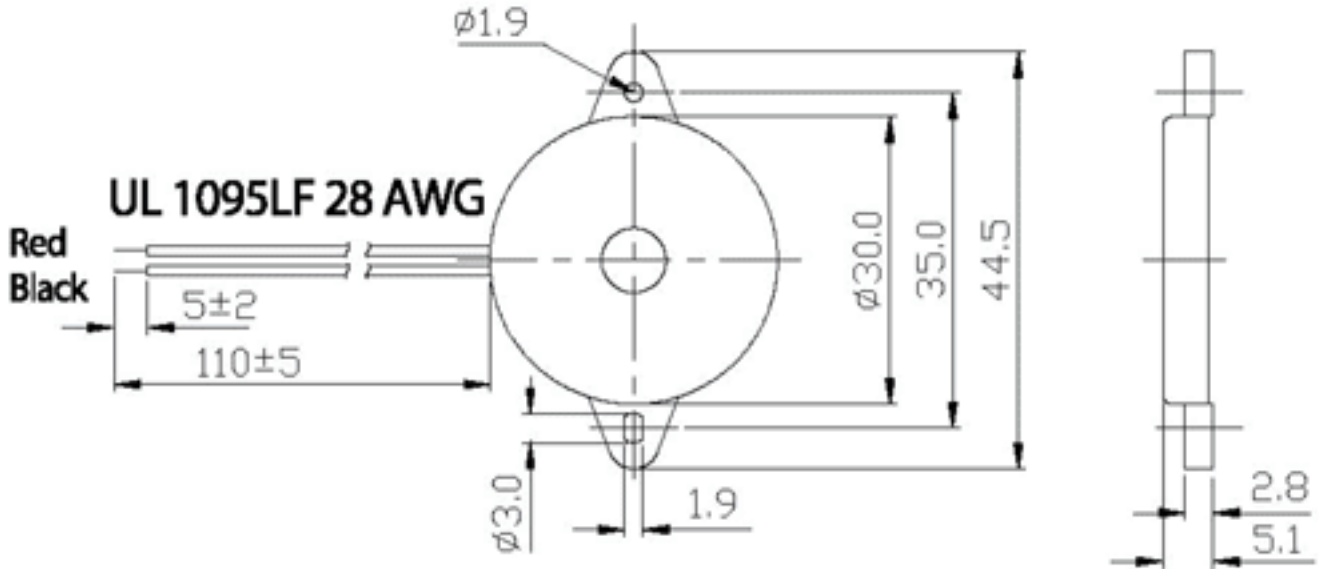
### KPEG827



Model Number	KPEG827
Rated Voltage (Vp-p)	Max. 50
Current Consumption (mA)	Max. 11@10Vp-p,Square Wave,4.5KHz
Sound Pressure Level (dB)	Min. 97dB@10cm / 10Vp-p,Square Wave,4.5KHz
Electrostatic Capacity(pF)	18,000±30%@1KHz / 1V
Operating Temperature (°C)	-30 ~ +85
Storage Temperature (°C)	-40 ~ +95
Weight (Gram)	4.7
Material	ABS UL-94 1/16" HB High Heat (Black)

## Dimension

## Dimension



Tol :  $\pm 0.5$  Unit : mm

## Characteristic

A: Frequency Response, Magn dB re 20.00uPA

