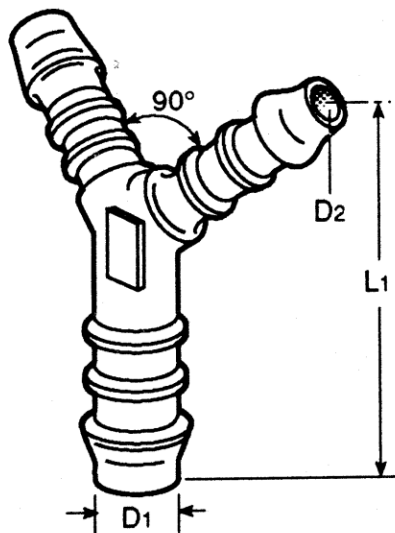


Datasheet

Stock No: 795-562

RS Pro Push-on equal Y connector, 19mm ID hose



Product Details

Equal Y Connector

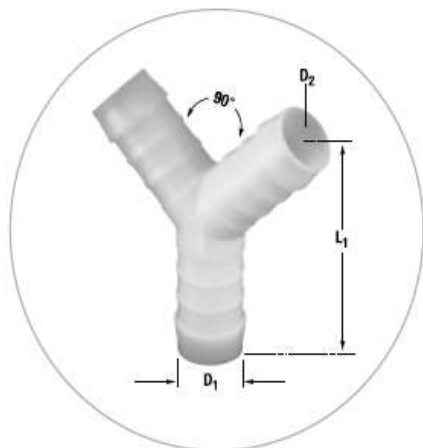
These hose connectors can be fitted quickly and simply by pushing the hose directly onto the connecting parts. The ribbing of the end connectors enables the hose to sit securely.

Push-on Connectors

- Acetal Resin, non toxic, tough, lightweight, good impact and wear resistance
- Deep moulded ribs, use hose clips for high pressure, positive sealing

Specifications:

Hose Inner Diameter	19mm
Coupling Connector Type	Y Coupler
Body Material	POM
Coupling Gender	Male
Coupling Connector Direction	Y
Series	YS



D1	D2	L1
19	15	72

D1: Joiner Outer Diameter
D2: Joiner Inner Diameter
L1: Length

Unit:mm

*Joiner Outer Diameter = Hose Inner Diameter