



ENGLISH

Datasheet

RS Article:1854795

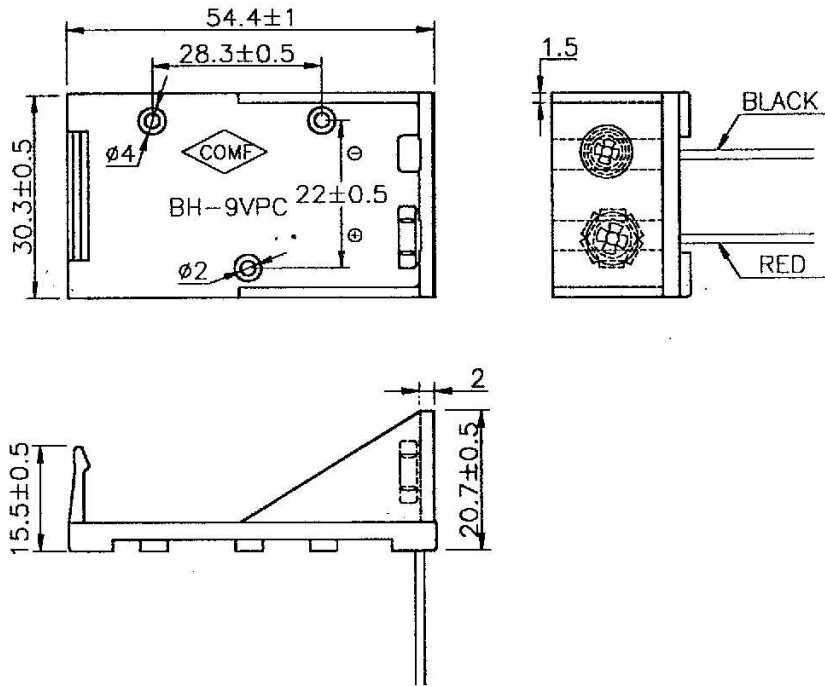
RS Pro Battery Holder



1. Preface:

The purpose of this product specification is to Dimension and drawing

9V with Lead wire 150mm



SPECIFICATION

- (1) ITEM NO.: 1854795
- (2) WITH 6 PRONG SNAP TERMINAL
- (3) WIRE: UL1007 AWG#26
BLACK & RED 150MM±5MM
STRIP & TIN 5MM±1MM
- (4) MATERIAL: A.B.S. RESIN , BLACK COLOR

Measure: mm