

HDTD Intelligent Signal Distribution isolator

Provide isolated working power to the transmitter at the same time, detect the current / voltage signal in the loop, and transform and output the isolated current / voltage signal to realize the three-terminal isolation between input, output and power. The device has the advantages of fast response speed, low power consumption, and good temperature characteristics.

This product is intelligently designed, and uses many advanced technologies such as digital adjustment, potentiometer, and automatic zero calibration. It can be used with various types of instruments and DCS, PLC and other equipment. It is widely used in major projects in the petroleum, petrochemical, manufacturing, power, metallurgy and other industries.

It can be used in conjunction with modular meters and DCS, PLC and other systems to provide signal isolation, signal conversion, signal distribution, and signal processing functions for field instruments, which enhances the anti-interference ability of the automatic control system in the industrial production process, ensuring the Stability and reliability.

Single channel 12.8MM

Dual channel 17.8MM



Technical Parameters				
Accuracy	±0.1%F.S.(25℃±2℃)			
Response time	≤0.2s			
Input impedance	About 100Ω			
Temperature drift	40ppm/℃			
Switch output voltage	no-load voltage≤26V , full-load voltage≥23V			
Output load capacity	0 (4) mA~20mA : ≤550Ω ; 0 (1) V~5V : ≥1MΩ ; 0V~10V : ≥2MΩ			
Power supply	18~32VDC (24V DC) 85~265V AC (OR 120~360V DC)			
Full load strength	1 in 1 out	1 in 2 out	1 in 4 out	2 in 2 out
24V DC	0.4W	0.6W	3.0W	2.5W
220V AC	1.0W	1.2W		
Insulation resistance	≥100MΩ , 600VDC (between input / output / power)			
Dielectric strength (leakage current 1mA, test time 1 minute)				
≥2500V AC/DC (between input / output / power)				
Ambient temperature during operation	-20℃ ~ +60℃			
Electromagnetic Compatibility	IEC 61000-4			

Panel indicator

PWR: Power indicator (green).
 OUT1, OUT2: Channel input signal status indicator (red), corresponding to channel 1 and channel 2 respectively.
 This indicator is off during normal working status;
 This indicator flashes when the input signal of the corresponding channel fails;
 When the input signal of the corresponding channel is out of range, this indicator is on.

Product Model List					
HDTD-	X	X	X	X	
Channels	1				1 in 1 out
	2				1 in 2 out
	3				1 in 3 out
	4				1 in 4 out
	5				2 in 2 out
Input signal	1				4~20mA
	2				0~20mA
	3				1~5V
	5				0~5V
	6				0~10V
	S				Others
	Output signal		1		
		2			0~20mA
		3			1~5V
		5			0~5V
		6			0~10V
		S			Others
Power supply					DC 18-32V Default
	A				85-265VAC/DC
	B				DC12V

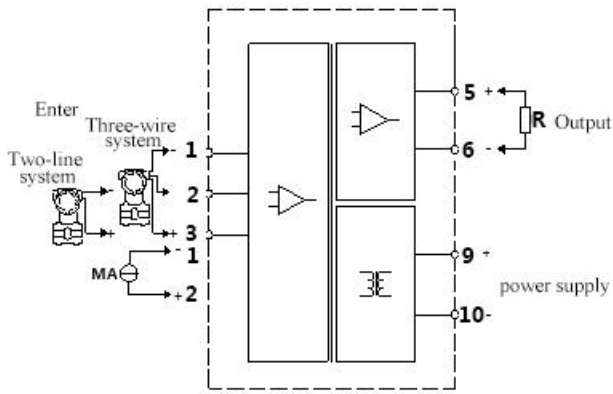
Sample :

HDTD-211 , 1 in 1 out , Input 4~20mA、 Output 4-20mA, Power supply DC18-32V

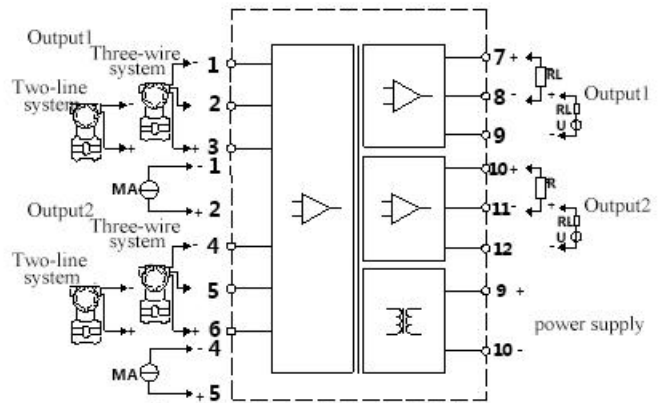


HDTD Intelligent Signal Distribution isolator

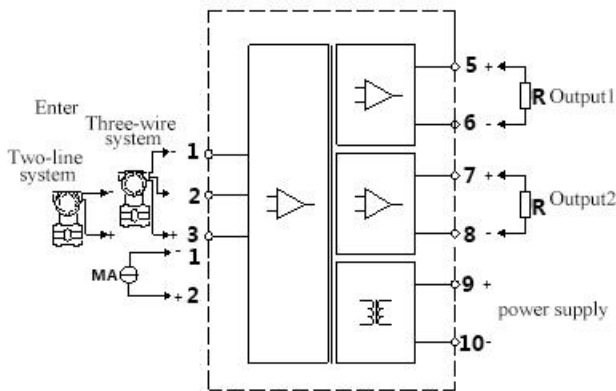
Wiring



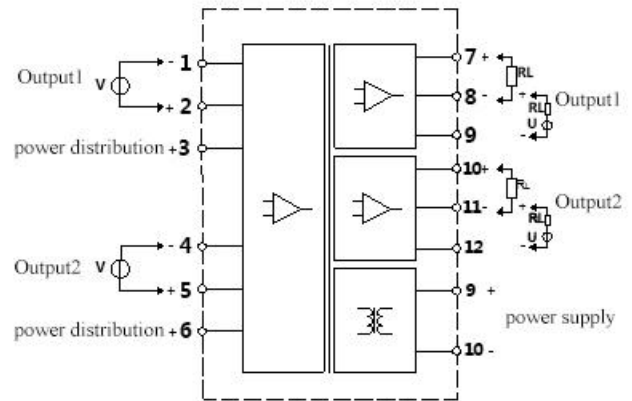
One-in-one-out wiring diagram



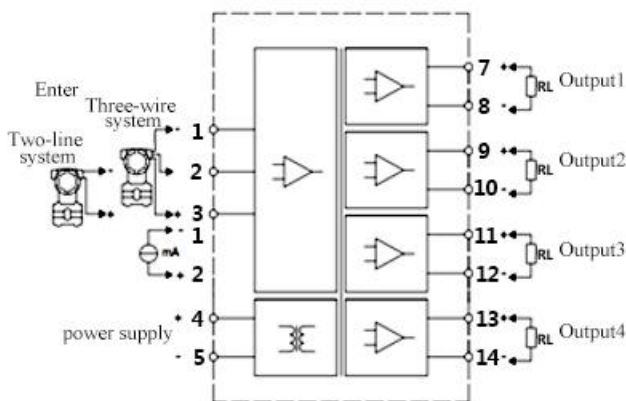
Two-in-two-out current input wiring diagram



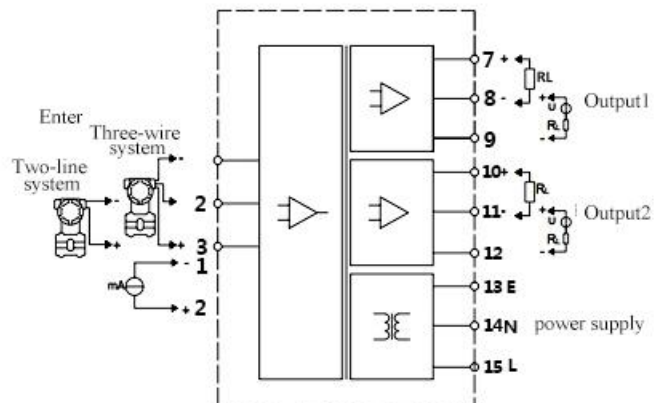
One-in-two-out wiring diagram



Two-in-two-out voltage input wiring diagram



One-in-four-out wiring diagram



One input and two output, 220V power supply