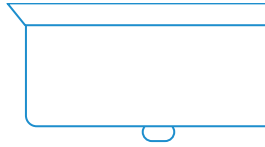


LED KITCHEN LUMINAIRE



GL SERIES



Key Features

- Triac dimming compatible
- Built-in with high thermal efficient linear module that allows lighting to operate at ambient temperature of up to 45°C
- Special designed clear polycarbonate diffuser to optimize the LED light transmission
- Long service life of 50,000 hours L70 @ 45°C (Ta)
- Safety, EMC and IEC compliance
- Available with battery backup system and emergency lighting



Application

Galleys, Pantries, Cafeterias, Provision rooms, Kitchens

Mounting Method

6 mounting holes $\phi 5\text{mm}$ (GL22)
8 mounting holes $\phi 5\text{mm}$ (GL42)

Material

Diffuser: Polycarbonate
Base plate: Stainless steel
Gasket: Silicone rubber

Cable Entry

2 plastic cable glands M20
Cable max $\phi 13\text{ mm}$

Electrical

Flexible wiring, Heat resistance up to 105°C

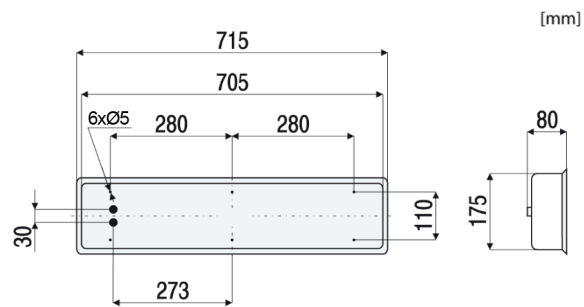
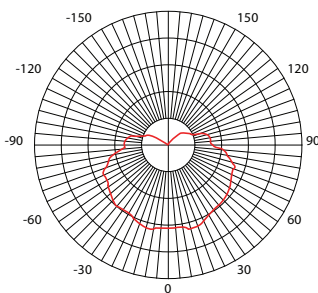
Options

100V ~ 120V AC

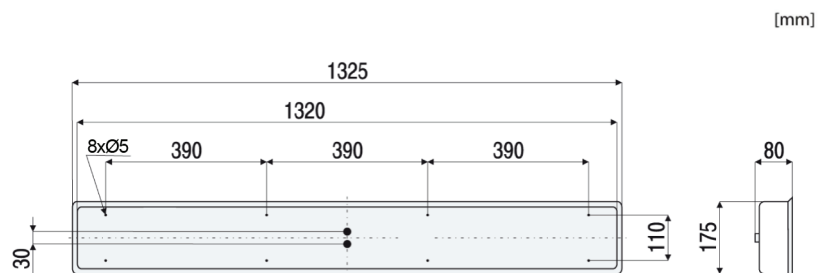
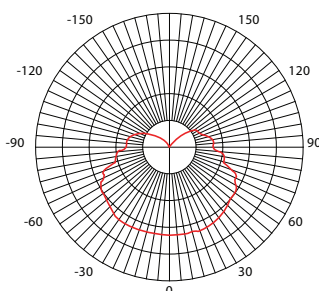
Weight

GL22: 4.2Kg GL42: 6.3Kg

GL22



GL42



LED KITCHEN LUMINAIRE



GL SERIES

- B Denotes : With battery backup
- E Denotes : With DC24V emergency LED

TECHNICAL SPECIFICATIONS IP 55

Ideal Replacement: 2 X 18W

BH Code	Type	Main Voltage	Power	CCT	Ambient Temp (Ta)	System Lumen
IGLAGL225A1	GL22	100V - 120V AC	2x12.5W	5000K	-30°C ~ +45°C	1940lm
IGLAGL225A1B	GL22	100V - 120V AC	2x12.5W	5000K	-30°C ~ +45°C	1940lm
IGLAGL225A1E	GL22	100V - 120V AC	2x12.5W	5000K	-30°C ~ +45°C	1940lm

Also available in other CCT.

*Ambient Temperature not applicable for Battery Backup System and Emergency Lighting.



TECHNICAL SPECIFICATIONS IP 55

Ideal Replacement: 2 X 36W

BH Code	Type	Main Voltage	Power	CCT	Ambient Temp (Ta)	System Lumen
IGLAGL425A1	GL42	100V - 120V AC	2x24W	5000K	-30°C ~ +45°C	3880lm
IGLAGL425A1B	GL42	100V - 120V AC	2x24W	5000K	-30°C ~ +45°C	3880lm
IGLAGL425A1E	GL42	100V - 120V AC	2x24W	5000K	-30°C ~ +45°C	3880lm

Also available in other CCT.

*Ambient Temperature not applicable for Battery Backup System and Emergency Lighting.



LED KITCHEN LUMINAIRE



GL SERIES

- B Denotes : With battery backup
- E Denotes : With DC24V emergency LED

TECHNICAL SPECIFICATIONS IP 55

Ideal Replacement: 2 X 18W

BH Code	Type	Main Voltage	Power	CCT	Ambient Temp (Ta)	System Lumen
IGLAGL225A2	GL22	220V - 240V AC	2x12.5W	5000K	-30°C ~ +45°C	1940lm
IGLAGL225A2B	GL22	220V - 240V AC	2x12.5W	5000K	-30°C ~ +45°C	1940lm
IGLAGL225A2E	GL22	220V - 240V AC	2x12.5W	5000K	-30°C ~ +45°C	1940lm

Also available in other CCT.

*Ambient Temperature not applicable for Battery Backup System and Emergency Lighting.



TECHNICAL SPECIFICATIONS IP 55

Ideal Replacement: 2 X 36W

BH Code	Type	Main Voltage	Power	CCT	Ambient Temp (Ta)	System Lumen
IGLAGL425A2	GL42	220V - 240V AC	2x24W	5000K	-30°C ~ +45°C	3880lm
IGLAGL425A2B	GL42	220V - 240V AC	2x24W	5000K	-30°C ~ +45°C	3880lm
IGLAGL425A2E	GL42	220V - 240V AC	2x24W	5000K	-30°C ~ +45°C	3880lm

Also available in other CCT.

*Ambient Temperature not applicable for Battery Backup System and Emergency Lighting.

