

RoHS  
Compliant



## Description

This product is a 13.3" (16:9) inch diagonally measured active display with high resolution 1920×1080 display and high brightness. This model is composed of a TFT LCD panel, backlight system and HDMI input. It is designed to make Raspberry Pi usage easy. Can simply use this TFT display with your Raspberry Pi, or also you can use this as computer display with any device which has HDMI output. This 13.3" TFT model comes in 1920×1080 resolution that would be great for embedded computing usage too.

## Specifications

Panel Size	: 13.3"
Number of Pixels	: 1920 (W) × RGB × 1080 (H) Pixels
Active Area	: 293.76mm (W) × 165.24mm (H)
Pixel Pitch	: 0.153mm (W) × 0.153mm (H)
Outline Dimension	: 307.6mm (W) × 183.05mm (H) × 22.2mm (T)
Number of Colours	: 16.7M
Display Mode	: Normally Black
View Direction	: Free Direction
Display Format	: RGB vertical stripe
Surface Treatment	: Anti-Glare (3H)
Contrast Ratio	: 1000 (Typ.)
Luminance	: 1000cd/m <sup>2</sup> (Typ.)
Video Input Interface	: HDMI (Compliance HDMI V1.4)
Backlight	: White LED
Operation Temperature	: -20°C to +70°C
Storage Temperature	: -30°C to +80°C
Weight	: 440g

## Absolute Maximum Ratings

### Electrical Absolute Rating

#### HDMI TFT LCD Module

Item	Symbol	Values		Unit	Note
		Min.	Max.		
Power supply voltage	12V	10	14	V	-

### Environment Absolute Rating

Item	Symbol	Values			Unit	Note
		Min.	Typ.	Max.		
Operating Temperature	Top	-20	-	+70	°C	Ambient Temperature
Storage Temperature	Tst	-30	-	+80		

## Electrical Characteristics

### HDMI TFT LCD Module

Item	Symbol	Values			Unit	Note
		Min.	Typ.	Max.		
Supply Voltage	12V	11	12	13	V	
PWM frequency		100	-	10K	Hz	
PWM Duty		17	-	100	%	<17%=OFF
PWM Dimming Voltage	VPWM-IH	3.3	-	8	V	
	VPWM-IL	-	0.3	-	V	
Supply Current	ICC(12V)	-	1250	1400	mA	
LED life time		-	50000	-	Hr	(1)

#### Note 1:

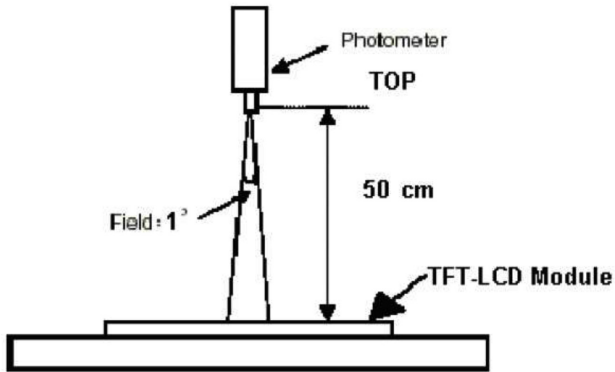
The "LED life time" is defined as the module brightness decrease to 50% original brightness that the ambient temperature is 25°C 60% RH.

## Optical Characteristics

Item		Symbol	Condition	Min.	Typ.	Max.	Unit
Brightness		-	Note1, Note 3, ( $\theta=0^\circ$ , Normal Viewing Angle)	800	1000	-	cd/m <sup>2</sup>
Uniformity		B-uni		-	70	-	%
Contrast Ratio		CR		700	1000	-	-
Response Time		Tr + Tf		-	30	35	ms
Colour Chromaticity	White	Wx	Note1, Note 3, ( $\theta=0^\circ$ , Normal Viewing Angle)	0.247	0.297	0.347	-
		Wy		0.301	0.351	0.401	-
	Red	Rx		0.542	0.592	0.642	
		Ry		0.31	0.360	0.410	
	Green	Gx		0.292	0.342	0.392	
		Gy		0.507	0.557	0.607	
	Blue	Bx		0.108	0.158	0.208	
		By		0.059	0.109	0.159	
View angle	Horizontal	$\theta_{x+}$	Centre CR $\geq$ 10	-	85	-	
		$\theta_{x-}$			85		
	Vertical	$\theta_{Y+}$			85		
		$\theta_{Y-}$			85		

Note: The following optical specifications shall be measured in a darkroom or equivalent state(ambient luminance  $\leq$ 1 lux, and at room temperature). The operation temperature is 25°C $\pm$ 2°C. The measurement method is shown in Note1.

**Note 1: The method of optical measurement**

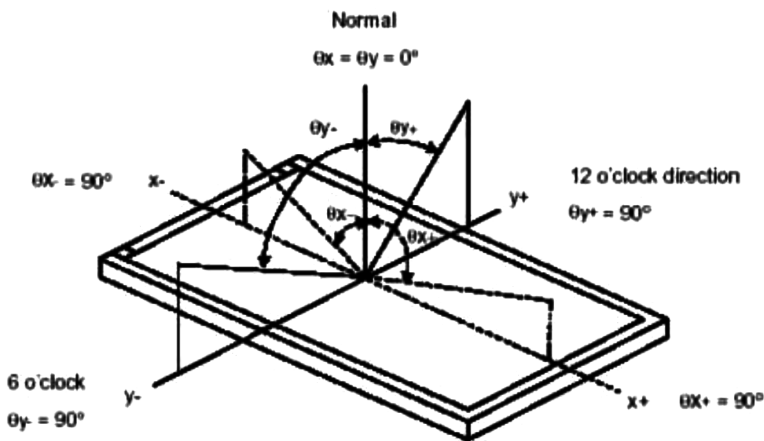


**Note 2:** Measured at the centre area of the panel and at the viewing angle of the  $\theta_x = \theta_y = 0^\circ$

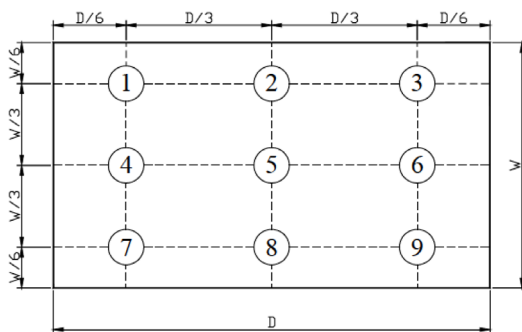
**Note 3:** Definition of Contrast Ratio (CR):

CR = Luminance with all pixels in white state ÷ Luminance with all pixels in Black state

**Note 4:** Definition of Viewing Angle:



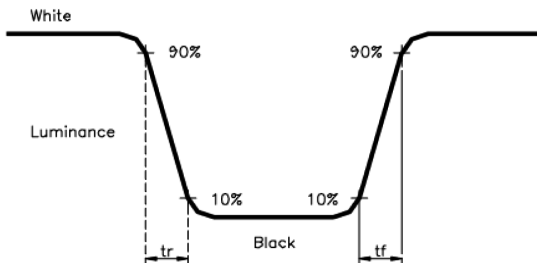
**Note 5:** Definition of Brightness Uniformity (B-uni):



B-uni = (Minimum luminance of 9 points ÷ Maximum luminance of 9 points) X 100%

**Note 6:** Definition of Response Time:

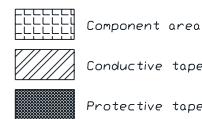
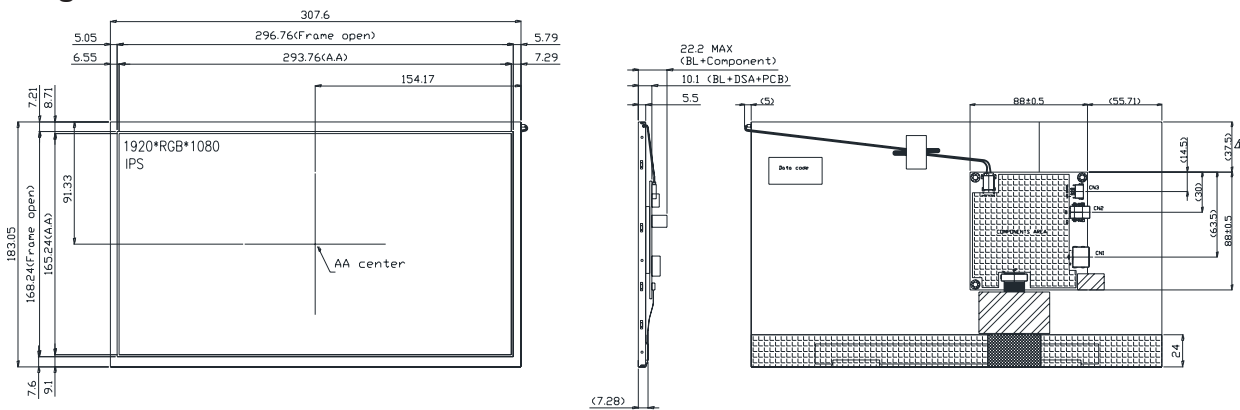
The Response Time is set initially by defining the "Rising Time (Tr)" and the "Falling Time (Tf)" respectively. Tr and Tf are defined as following figure



**Note 7:** Definition of Chromaticity:

The colour coordinates (Wx,Wy),(Rx,Ry),(Gx,Gy),and (Bx,By) are obtained with all pixels in the viewing field at white, red, green, and blue states, respectively.

**Diagram**



Dimensions : Millimetres

**Pin Description**

**Power Input (CN1)**

Pin No.	Symbol	I/O	Function	Note
1	12V	P	Power Supply +12V	
2	GND	P	Ground	

**Back-light Control (CN2)**

Pin No.	Symbol	I/O	Function	Note
1	GND	P	Ground	-
2	PWM	I	Back-light Dimming control (internal pull up to 3.3V)	*
3	N.C.	-	N.C.	-

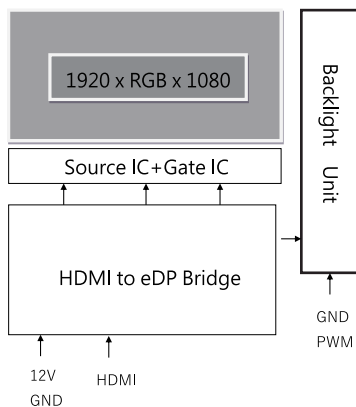
\* When PWM not connected, back-light default is typical brightness and normally turn on.

## HDMI (CN3)

Pin No.	Symbol	I/O	Function	Note
1	TMDS 2+	I	TMDS Data2+	
2	GND	P	TMDS Data2 Shield	
3	TMDS 2-	I	TMDS Data2-	
4	TMDS 1+	I	TMDS Data1+	
5	GND	P	TMDS Data1 Shield	
6	TMDS 1-	I	TMDS Data1-	
7	TMDS 0+	I	TMDS Data0+	
8	GND	P	TMDS Data0 Shield	
9	TMDS 0-	I	TMDS Data0-	
10	TMDS CLK+	I	TMDS Clock+	
11	GND	P	TMDS Clock Shield	
12	TMDS CLK-	I	TMDS Clock-	
13	N.C.	-	N.C.	
14	N.C.	-	N.C.	
15	DDC_SCL	I	IIC SCL to EDID ROM	
16	DDC_SDA	I/O	IIC SDA to EDID ROM	
17	GND	P	DDC/CEC Ground	
18	HD_5V	P	+5V Power	
19	HPD	O	Hot Plug Detect	

## Block Diagram

### TFT LCD Module



### Part Number Table

Description	Part Number
TFT LCD, 13.3", HDMI, 1920×1080	MP013335

**Important Notice :** This data sheet and its contents (the "Information") belong to the members of the AVNET group of companies (the "Group") or are licensed to it. No licence is granted for the use of it other than for information purposes in connection with the products to which it relates. No licence of any intellectual property rights is granted. The Information is subject to change without notice and replaces all data sheets previously supplied. The Information supplied is believed to be accurate but the Group assumes no responsibility for its accuracy or completeness, any error in or omission from it or for any use made of it. Users of this data sheet should check for themselves the Information and the suitability of the products for their purpose and not make any assumptions based on information included or omitted. Liability for loss or damage resulting from any reliance on the Information or use of it (including liability resulting from negligence or where the Group was aware of the possibility of such loss or damage arising) is excluded. This will not operate to limit or restrict the Group's liability for death or personal injury resulting from its negligence. Multicomp Pro is the registered trademark of Premier Farnell Limited 2019.