

Datasheet

RS PRO Cable Assembly Coaxial U.FL (UMCC), IPEX to SMA 1.13mm OD Coaxial Cable 5.984" (152.00mm) Long

Stock No: 2272070, 2272071



Product Details:

RS PRO RF Cable Assemblies are available in a broad range configuration of RF Connector types, lengths, cables, and applications ranging from BNC, SMA, 5MB, UHF, Mini UHF, MCX, MMCX and more.

Features & Benefits:

- Fast turnaround.
- Assemblies using original parts or Adam Tech equivalent substitutes.
- Custom lengths available to suit your needs.
- 100% tested and guaranteed.

SPECIFICATION:

Connector:

P1 = I-PEX Connector, Gold plated

P2 = SMA Jack, Straight, Female pin, Gold plated

Cable:

Ø1.13mm Coaxial Cable, Color: Black

Electrical:

Impedance: 50 ohms

Frequency range: DC-6 GHz

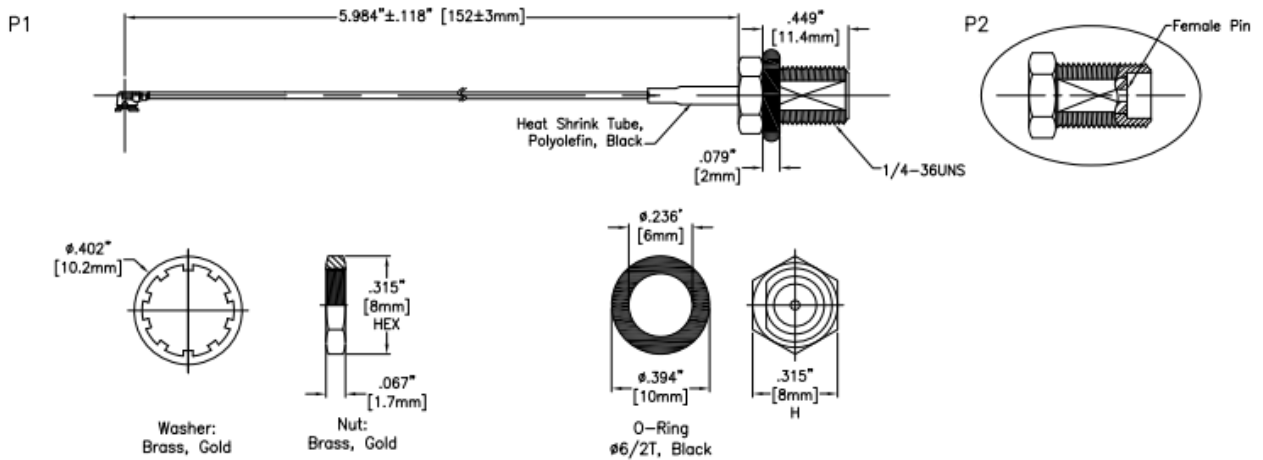
Electrical Test:

All Assemblies must be 100% Tested for
Shorts, Open, Continuity, and Physical Appearance.

Environmental:

Lead free, RoHS compliant.

Dimensional line drawings



General

Extra page for more complex