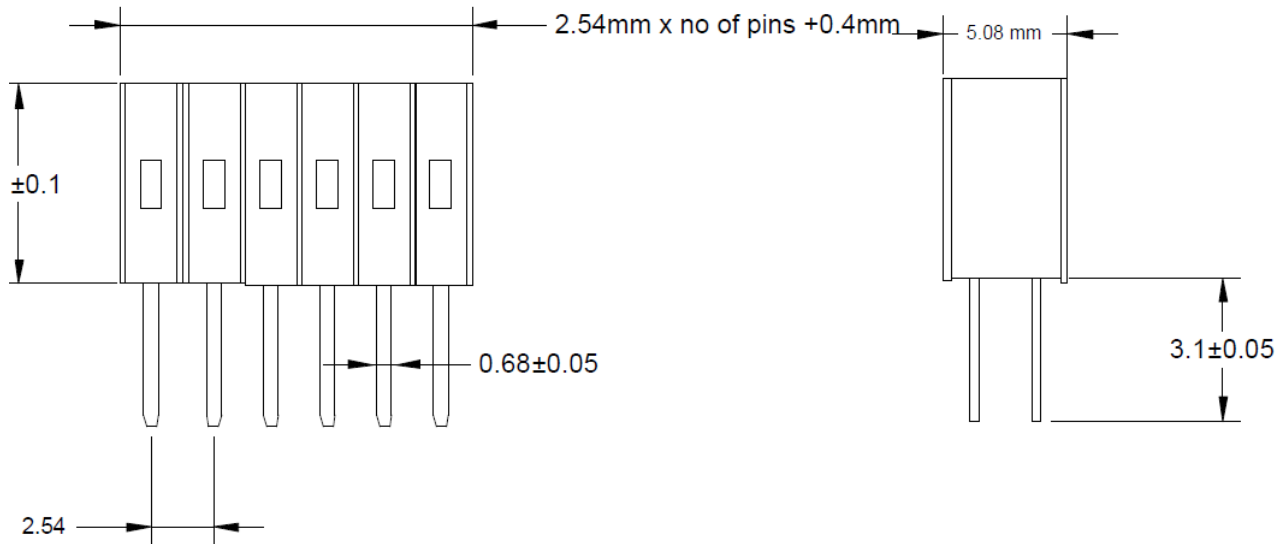
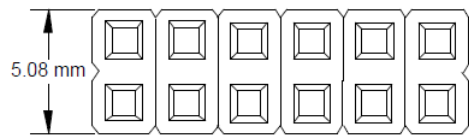


Datasheet

2.54mm 6 Way 2 Row Straight PCB Socket Through Hole Socket Strip

RS Stock number [251-8216](#)



Specifications:

Current Rating	1 Amp
Insulation Resistance	5000 Meg Ohms
Operating Temperature	-40 ⁰ C to +105 ⁰ C
Max Processing Temperature	230 ⁰ C (30 Secs) 260 ⁰ C (60 Secs)
Contact Material	Phosphor Bronze
Insulation Material W34821xxTRC	Nylon (UL94V-0) (use for RoHS Wave Soldering)
Insulation Material W34821xxTHTRC	Stanol (use for RoHS Reflow)
Plating	Pure Tin over Nickel
Contact Resistance	20 m Ohms