

# UHF Coaxial Male Crimp

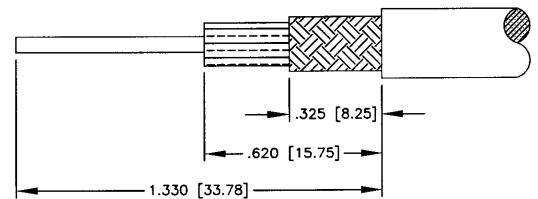
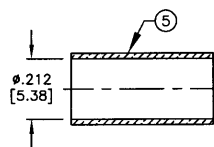
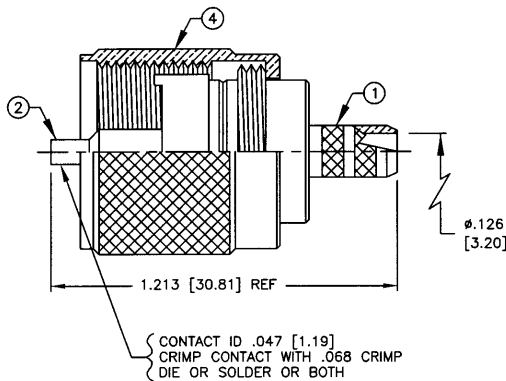


**RoHS  
Compliant**



## Specifications:

Connector Type : UHF Coaxial  
 Body Style : Straight Plug  
 Coaxial Termination : Crimp  
 Non Constant  
 Working Voltage : 500V rms @ Sea Level  
 Frequency Range : 0-300MHz  
 (C) For RG-58, 58A, 58C, 141, 141A, BELDEN 8240, 8259, 8262, 9201, 9203, 9310, 9311 & Comm/Scope 0268  
 (C2) For Times LMR-200, Alpha 9848 & MSI-22



SUGGESTED STRIPPING INSTRUCTIONS  
 SUGGESTED CRIMP DIE: .213

Dimensions : Inches (Millimetres)

Item	Description	Qty	Material	Finish
1	Body	1	Brass	Nickel
2	Contact	1	Brass	Silver
3	Dielectric	1	DAP	Pantone 129
4	Shell	1	Brass	Nickel
5	Ferrule [FER-103]	1	Brass	Nickel

## Part Number Table

Description	Part Number
UHF Male Crimp	1532

**Important Notice :** This data sheet and its contents (the "Information") belong to the members of the Premier Farnell group of companies (the "Group") or are licensed to it. No licence is granted for the use of it other than for information purposes in connection with the products to which it relates. No licence of any intellectual property rights is granted. The Information is subject to change without notice and replaces all data sheets previously supplied. The Information supplied is believed to be accurate but the Group assumes no responsibility for its accuracy or completeness, any error in or omission from it or for any use made of it. Users of this data sheet should check for themselves the Information and the suitability of the products for their purpose and not make any assumptions based on information included or omitted. Liability for loss or damage resulting from any reliance on the Information or use of it (including liability resulting from negligence or where the Group was aware of the possibility of such loss or damage arising) is excluded. This will not operate to limit or restrict the Group's liability for death or personal injury resulting from its negligence. Multicomp is the registered trademark of the Group. © Premier Farnell plc 2012.

www.element14.com  
 www.farnell.com  
 www.newark.com

