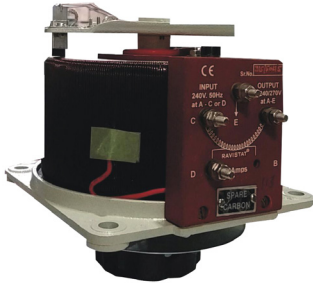


Variable Transformers

Single Phase - 1A to 28A

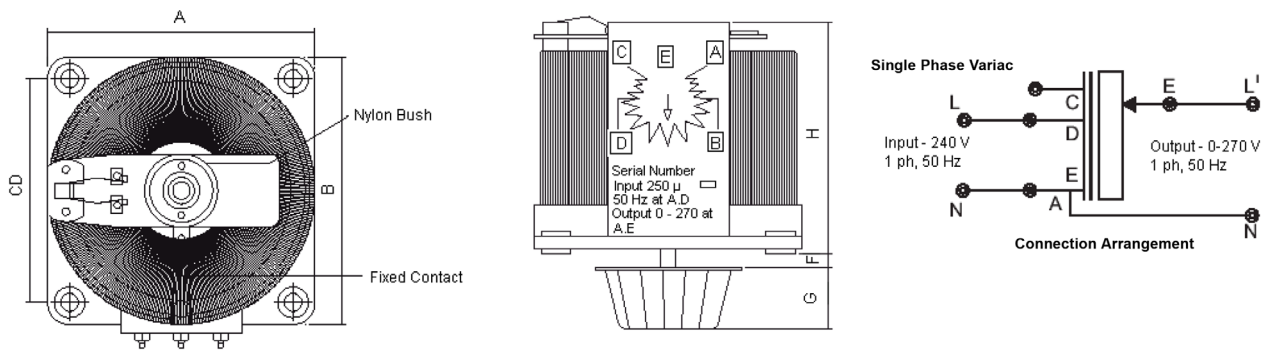
multicomp PRO



Features

- Low cost
- Precision wound
- Rugged construction
- Standard connections
- Simple to use
- Easy to install
- Open Wound
- Input voltage : 240V AC
- Output voltage : 0 to 240V AC / 270V AC

Diagram



Installation and Safety Instructions:

1. Installation, commissioning and maintenance should only be carried out by suitably qualified personnel
2. Read all of the instructions before you use the transformer
3. The input must always be applied across the appropriate terminals. Never connect the transformer in series with the load
4. The transformer should be properly earthed using the earth stud or earth terminal
5. This transformer operates at mains Voltage. Do not exceed the maximum voltage and current rating
6. This transformer is not designed to provide mains isolation
7. Please note that when connected to the electrical supply the terminal brushes and tracks surface are at mains voltage which is potentially lethal
8. The carbon brushes should be inspected for damage or wear, faulty or over worn brushes will result in damage to the windings

Specification Table

Max. Current Rating (A)	Max. VA	Height (Excluding Knob) (H)	Overall Width (A)	Overall Dia. (B)	Fixing Centres (C x D)	Dia. Fixing Hole	E	F	Height of the Knob (G)	Appro. Weight (Kg)	Part Number
1	240	99	83	99	-	-	-	-	20	1.55	MC1F-1
2	480	95	110	92 x 92	7.5	10	6	25		2.9	MC2F-1
3	720	115								3.3	MC3F-1

Dimensions : Millimetres

Newark.com/multicomp-pro
 Farnell.com/multicomp-pro
 Element14.com/multicomp-pro

multicomp PRO

Variable Transformers

Single Phase - 1A to 28A

multicomp PRO

Max. Current Rating (A)	Max. VA	Height (Excluding Knob) (H)	Overall Width (A)	Overall Dia. (B)	Fixing Centres (C × D)	Dia. Fixing Hole	E	F	Height of the Knob (G)	Approx. Weight (Kg)	Part Number
6	1,440	110	175		146 × 146	10	25	6	35	6.8	MC6F-1
10	1,920	130								8.1	MC8F-1
		2,400	135	225	176 × 176	11	10			9	MC10F-1
15	3,600	12								MC15F-1	
20	4,800	145								15	MC20F-1
28	6,720	160	300		238 × 238	13	60			22	MC28F-1

Dimensions : Millimetres

Important Notice : This data sheet and its contents (the "Information") belong to the members of the AVNET group of companies (the "Group") or are licensed to it. No licence is granted for the use of it other than for information purposes in connection with the products to which it relates. No licence of any intellectual property rights is granted. The Information is subject to change without notice and replaces all data sheets previously supplied. The Information supplied is believed to be accurate but the Group assumes no responsibility for its accuracy or completeness, any error in or omission from it or for any use made of it. Users of this data sheet should check for themselves the Information and the suitability of the products for their purpose and not make any assumptions based on information included or omitted. Liability for loss or damage resulting from any reliance on the Information or use of it (including liability resulting from negligence or where the Group was aware of the possibility of such loss or damage arising) is excluded. This will not operate to limit or restrict the Group's liability for death or personal injury resulting from its negligence. Multicomp Pro is the registered trademark of Premier Farnell Limited 2019.

Newark.com/multicomp-pro
 Farnell.com/multicomp-pro
 Element14.com/multicomp-pro

multicomp PRO