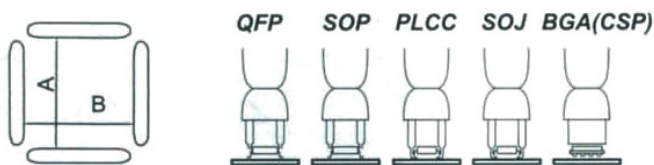


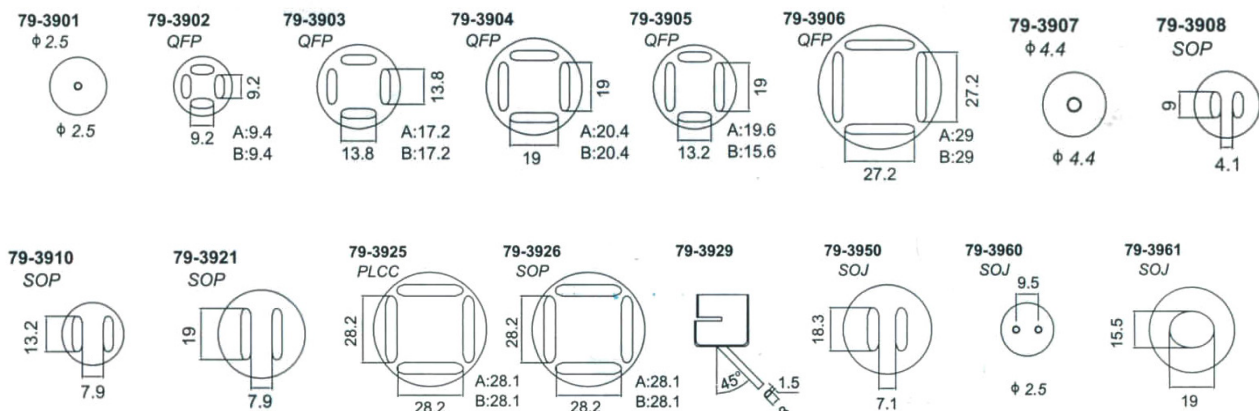
# Nozzles



Material : Stainless Steel



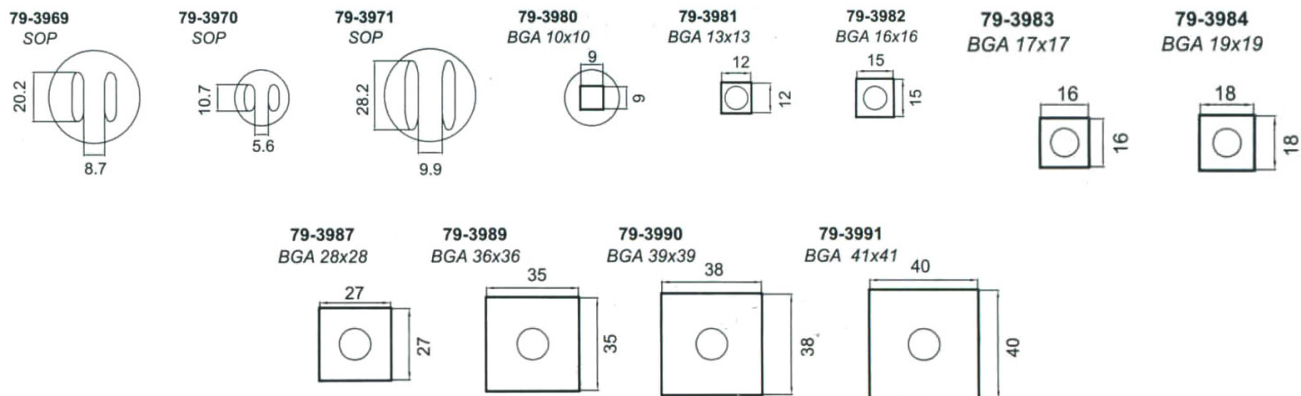
## Diagrams:



Dimensions : Millimetres



# Nozzles



Dimensions : Millimetres

## Part Number Table

Description	Part Number
Nozzle, 2.5mm Dia.	79-3901
Nozzle, 14 × 14mm	79-3902
Nozzle, 17 × 17mm	79-3903
Nozzle, 20 × 20mm	79-3904
Nozzle, 16 × 20mm	79-3905
Nozzle, 29 × 29mm	79-3906
Nozzle, 4.4mm Dia.	79-3907
Nozzle, 4.1 × 9mm	79-3908
Nozzle, 8 × 13mm	79-3910
Nozzle, 8 × 19mm	79-3921
Nozzle, PLCC, 28 × 28mm	79-3925
Nozzle, SOP, 28 × 28mm	79-3926
Nozzle, Fine 45 Deg.	79-3929
Nozzle, SOJ, 18 × 7mm	79-3950

Description	Part Number
Nozzle, SOJ, 9.5 × 2.5mm	79-3960
Nozzle, SOJ, 15 × 19mm	79-3961
Nozzle, SOP, 20 × 9mm	79-3969
Nozzle, SOP, 11 × 6mm	79-3970
Nozzle, SOP, 29 × 10mm	79-3971
Nozzle, BGA, 10 × 10mm	79-3980
Nozzle, BGA, 13 × 13mm	79-3981
Nozzle, BGA, 16 × 16mm	79-3982
Nozzle, BGA, 17 × 17mm	79-3983
Nozzle, BGA, 19 × 19mm	79-3984
Nozzle, BGA, 28 × 28mm	79-3987
Nozzle, BGA, 36 × 36mm	79-3989
Nozzle, BGA, 39 × 39mm	79-3990
Nozzle, BGA, 41 × 41mm	79-3991

**Important Notice** : This data sheet and its contents (the "Information") belong to the members of the Premier Farnell group of companies (the "Group") or are licensed to it. No licence is granted for the use of it other than for information purposes in connection with the products to which it relates. No licence of any intellectual property rights is granted. The Information is subject to change without notice and replaces all data sheets previously supplied. The Information supplied is believed to be accurate but the Group assumes no responsibility for its accuracy or completeness, any error in or omission from it or for any use made of it. Users of this data sheet should check for themselves the Information and the suitability of the products for their purpose and not make any assumptions based on information included or omitted. Liability for loss or damage resulting from any reliance on the Information or use of it (including liability resulting from negligence or where the Group was aware of the possibility of such loss or damage arising) is excluded. This will not operate to limit or restrict the Group's liability for death or personal injury resulting from its negligence. DURATOOL is the registered trademark of the Group. © Premier Farnell plc 2012.

