



ENGLISH

Datasheet

RS Pro Steel PCB Drill Bit 1.2mm

RS Stock No: 457-611



Product Details

RS Pro steel drill bit has a diameter of 1.2 mm. The miniature solid drill bit has a shoulder shank of 2.35 mm diameter for easy handling. This drill bit is suitable for PCB drilling with its twist drill. It provides clean hole on multi layer PCB boards or standard circuit boards.

Features and Benefits

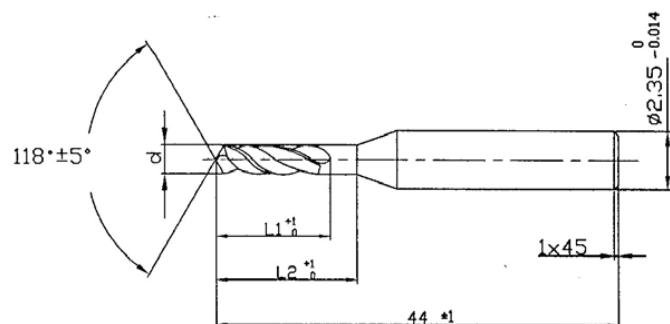
- Steel drill bit
- Ground shank drills
- HSS miniature twist drill bits for use with PCB drills
- Drills have 2.35 mm dia. shank
- Produce clean holes in multi layer PCB boards



ENGLISH

Specifications:

Diameter	1.2 mm
Material	Steel
Flute Length	11 mm
Overall Length	44 mm
Shank Diameter	2.35 mm



RS STOCK NUMBER	MANUFACTURER PART NO.	Description	Dia.(d)	Tolerance(mm)	Overall Length(mm)	Flute Length(L1)mm
457588	HM100-0060	HSS drill bit 0.6mm	0.6mm	-0.014	44±1	7±1
457651	HM100-0080	HSS drill bit 0.8mm	0.8mm	-0.014	44±1	11±1
457598	HM100-0090	HSS drill bit 0.9mm	0.9mm	-0.014	44±1	11±1
457617	HM100-0100	HSS drill bit 1.0mm	1.0mm	-0.014	44±1	11±1
457611	HM100-0120	HSS drill bit 1.2mm	1.2mm	-0.014	44±1	11±1
457601	HM100-0130	HSS drill bit 1.3mm	1.3mm	-0.014	44±1	11±1
457605	HM100-0150	HSS drill bit 1.5mm	1.5mm	-0.014	44±1	11±1
457627	HM100-1000	HSS set 0.5 to 2.2mm	10pc contains 0.5,0.6,0.8,0.9,1.0,1.3,1.6,1.7,2.0,2.2mm			
448607	HM100-1000	HSS set 0.5 to 2.2mm	10pc contains 0.5,0.6,0.8,0.9,1.0,1.3,1.6,1.7,2.0,2.2mm			

Remarks:

- Material: HSS M2
- Shank Dia.: 2.35mm