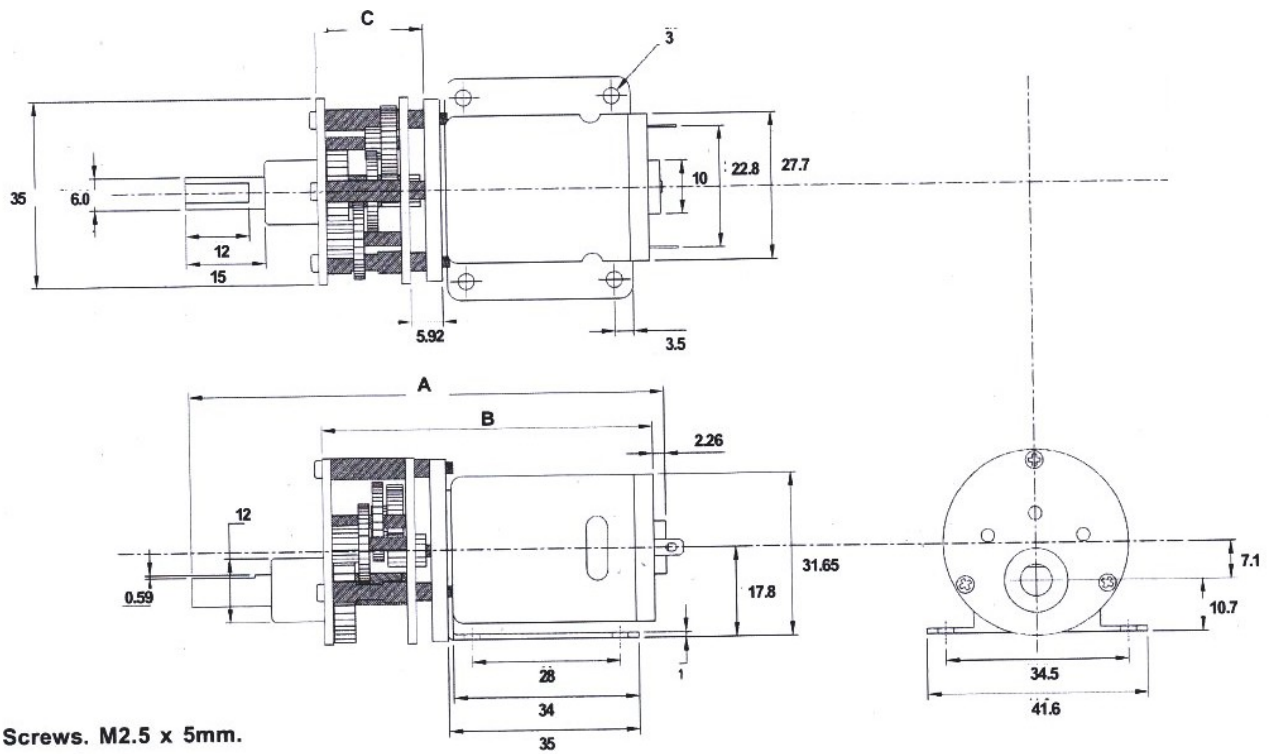


**Datasheet**

# RS PRO, 12 V dc, 6000 gcm, Brushed DC Geared Motor, Output Speed 14 rpm

Stock No: **454-0855****Specifications:**

<b>Output Speed</b>	<b>14 rpm</b>
Supply Voltage	12 V dc
Maximum Output Torque	6000 g.cm
DC Motor Type	Brushed
Shaft Diameter	6mm
Power Rating	7.98 W
Gearhead Type	Spur
Length	67.8mm
Width	35mm
Current Rating	990 mA
Weight	165g



Screws. M2.5 x 5mm.

Ratio	A	B	C
810:1	94.8mm	67.8mm	26.0mm

Gearbox Housing material	Metal
Backlash at no-load	< 2°
Bearing at output	Sleeve bearings
Radial load (10mm from flange)	< 1 kgf
Shaft axial load	< 0.7 kgf
Shaft press fit force max	< 20 kgf
Radial play of shaft	< 0.05mm
Thrust play of shaft	< 0.35mm

Reduction Ratio	Rated tolerance Torque	Max momentary Tolerance Torque	Efficiency
1/900	6 kgf-cm Max.	18 kgf-cm	53%

Reduction Table RPM SUPPLY VOLTAGE	4.5v	6v	9v	12v	15v
454-0855	5	7	11	14	18

Note: Motor speeds may vary by (+) or (-) 12.5%

