

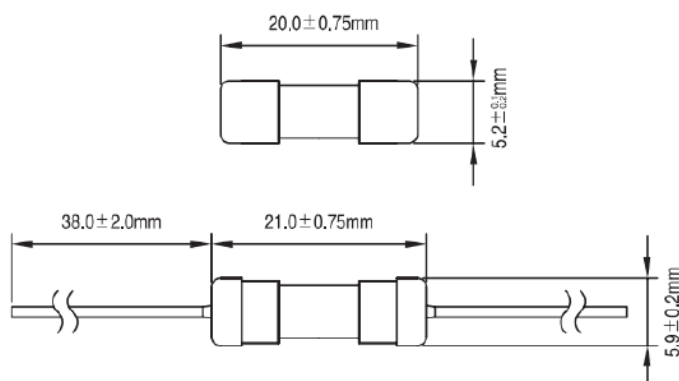
Datasheet

6.3 x 32mm T Cartridge Fuse, 0.5A, 250 V ac

RS Stock number 668-6063



Dimensions: (mm)



Specifications

- Operating Temperature: -55°C to + 125°C

Materials:

- Glass Body / Nickel Plated Brass Caps
- Lead Wire
- Diameter 0.8mm 14A less
- Diameter 1.0mm for rating above 15A to 19A
- Diameter 1.2mm for rating above 20A

Electrical Characteristics

Rated Current	1 In	1.35In	2 In
	MIN	MAX	MAX
10mA~20A	4 hr	1 hr	5 sec

Interrupting Ratings

10mA~10A:	10,000 amperes at 125V AC
10mA~1A:	35 amperes at 250V AC
1.5A~3.5A:	100 amperes at 250V AC
3.75A~10A:	200 amperes at 250V AC

